

Cal. 2115/2105

Basic analogue quartz watch movement

1. Basic Specification

Calibre	2115	2105
Ligne	10-1/2"	
Total height	4.15mm	
Hands	3	
Date	○	○
Day of week	Not applicable	○
Battery life	3 Years	

< Time Standard >

Type of quartz: Tuning fork type quartz crystal
 Frequency : 32,768Hz
 Accuracy : ±20 second / month worn under normal circumstances

< Battery >

Type of battery: Silver oxide SR626SW or equivalent

< Others >

Driving system: Two-pole stepping motor
 Jewel : No jewels

< Additional Mechanisms >

Quick Day/Date Change by turning crown(2105)
 Quick Date Change by turning crown(2115)
 Bilingual Day of Week(2105)
 Second hand stopping at optional position
 Powercell saving reset mechanism
 Over-loading compensation device
 Digital Frequency Control for tone adjustment

< Balanceable weight of hand >

Minute hand Max. 0.4 μN.m
 Second hand Max. 0.09 μN.m

2. Separated Parts

Calibre	2115	2105
Setting stem	065-299	

3. Remarks

< Setting stem >

Length of movement center to stem end : 20.0mm
 Thread : Φ0.9mm x 12.38mm

< Measurement of time >

The unit time of measurement must be set at "10s" or integer fold value of 10s owing to the DFC system. And the measurement must be carried out in state of a complete watch.

< Marking on movement >

UNADJUSTED
 (CAL NO.)
 MIYOTA CO., JAPAN

< Typical clearance >

Mov't - Caseback : minimum 150 μ m or more

Hands - glass : 300 - 450 μ m*

* Depending and subject to the glass and case structure, and hand length.

< Bilingual day of week >

There are many kinds of bilingual day of week.

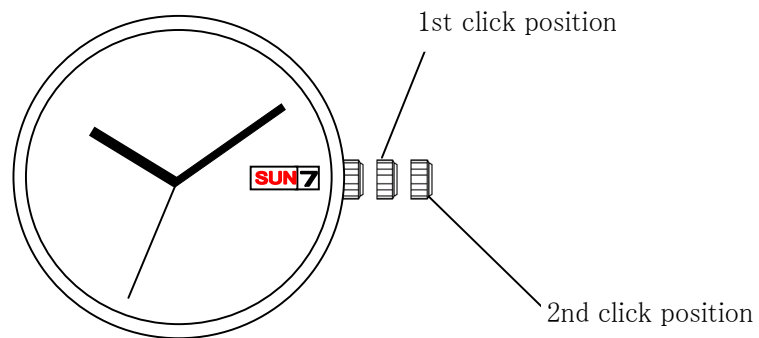
< How to set time and day/date >

Day/Date : Pull out the crown to the 1st click position.

Turn the crown clockwise for Weekday.

Turn the crown anticlockwise for Date.

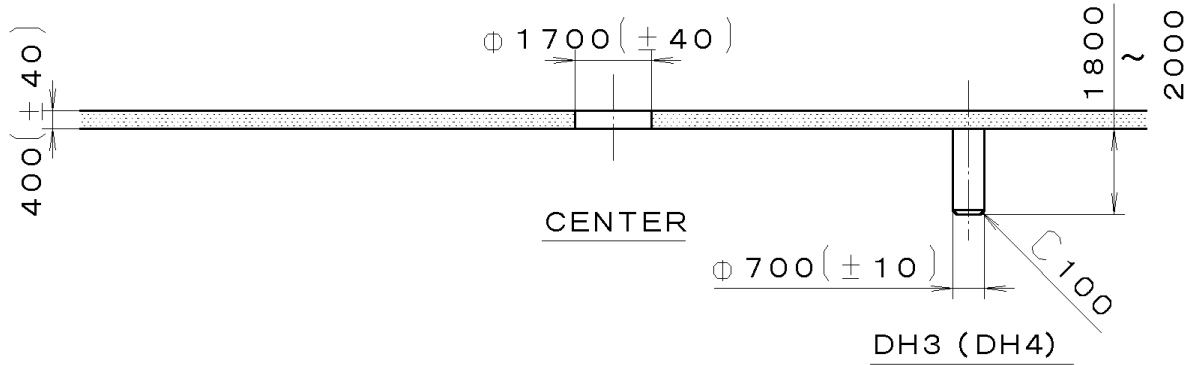
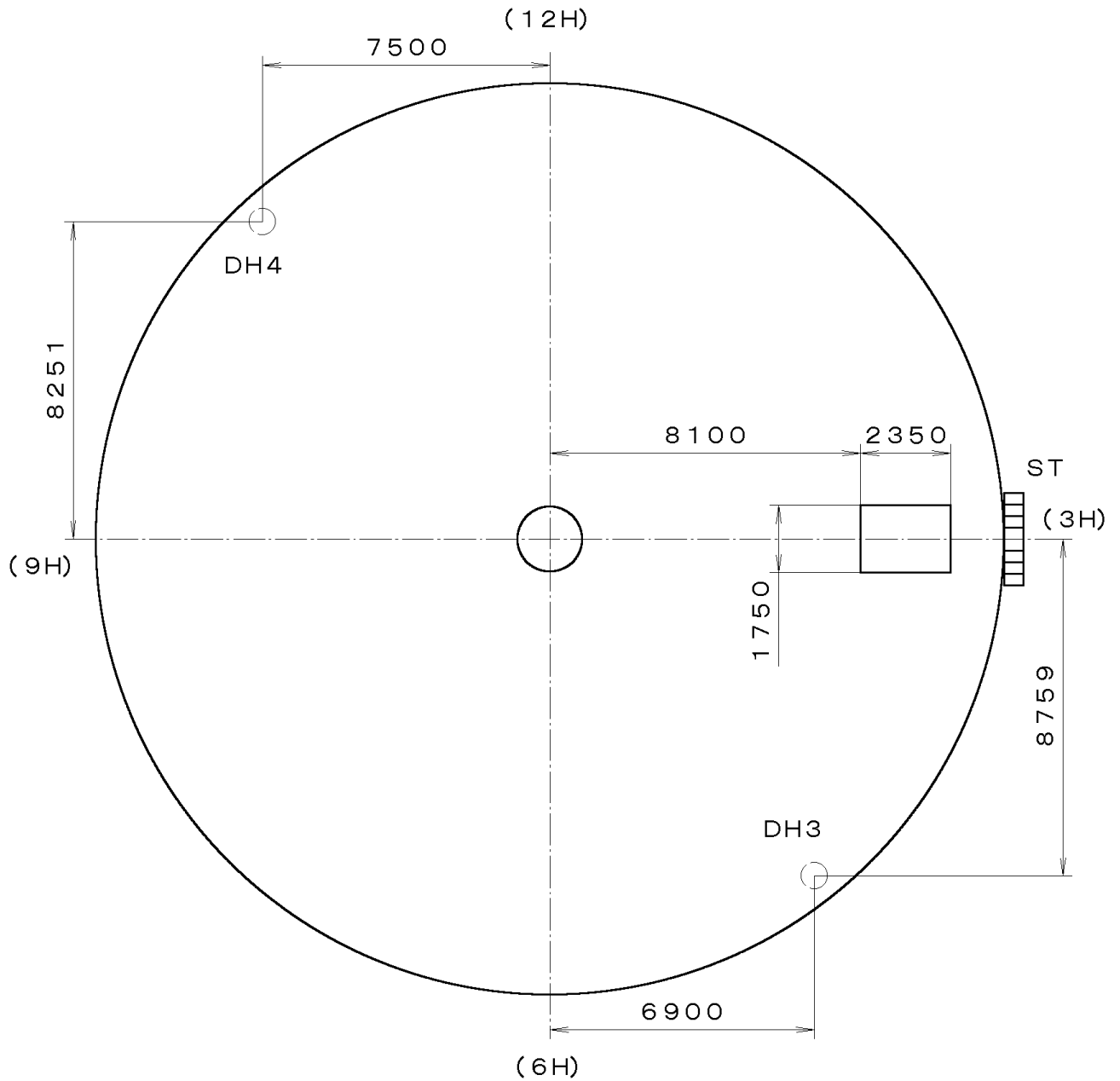
Time : Pull out the crown to the 2nd click position and turn the crown until the time is set correctly.



These specifications might be changed without prior notice.

This drawing is provisional and subject to our reconfirmation and/or revision without notice.

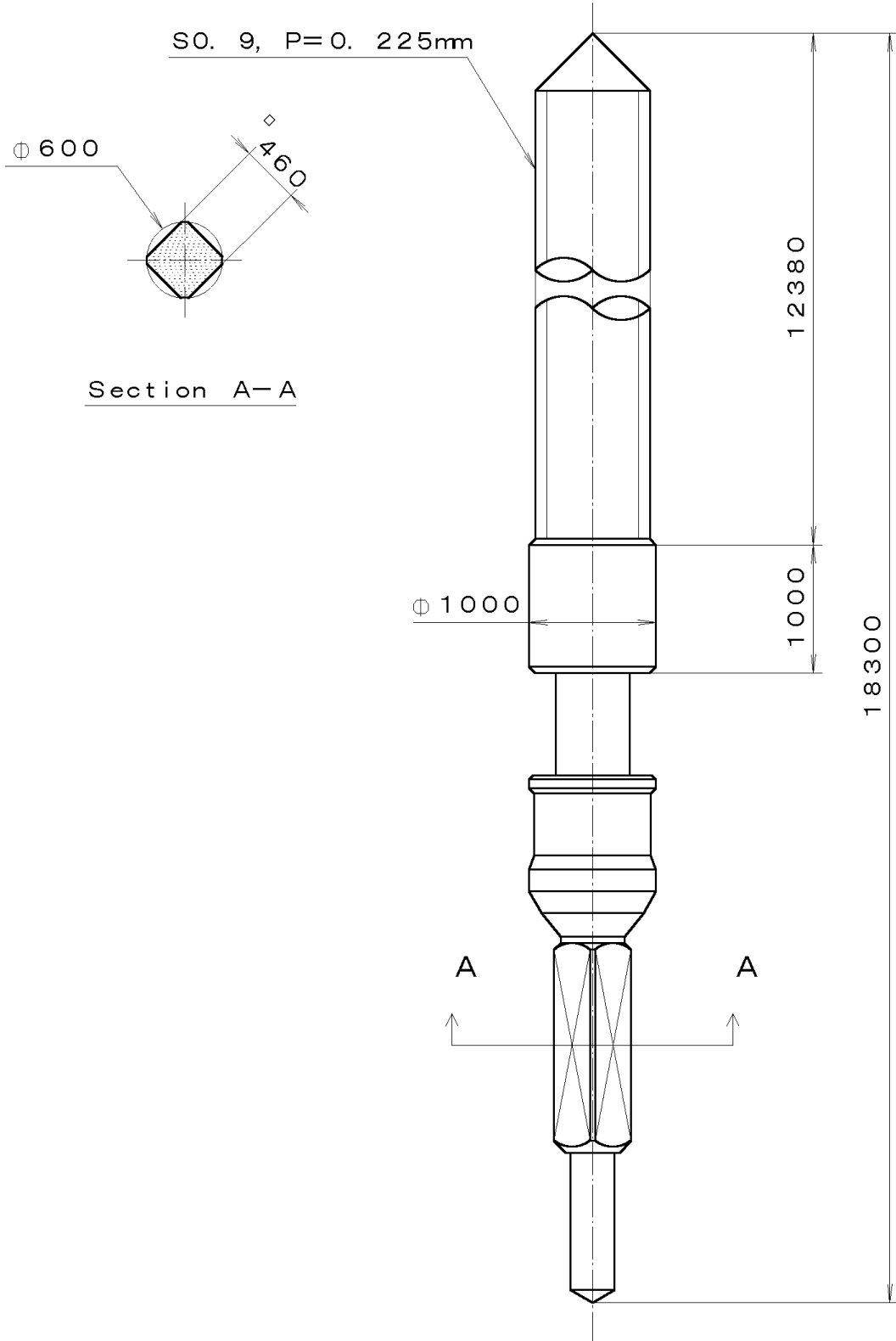
*** T I P W (2100 1121) (01) *** 2115-00A 01-03-14



7			Quantity		Cal. No. : 2115-00A
6			Unit	1/1000 mm	
5			Scale	6:1	Parts:
4			Date		
3			Drawn		
2			Checked	T. Hiruta	Name:
1			Approved		Indications for Dial
Material					Drawing No. : 2115D000
Heat Treatment			General Tolerances		
Hardness			Dimensions		
Plating			Angles		

This drawing is provisional and subject to our reconfirmation and/or revision without notice.

*** T I P W (01) *** (2100 1121) 00-06-23



7		Quantity		Ca l. No. :
6		Unit	1/1000 mm	Parts:
5		Scale	20:1	
4		Date		065-299
3		Drawn		
2		Checked	T. Hiruta	Name:
1		Approved		SETTING STEM
Material				Drawing No. : 2990S000
Heat Treatment		General Tolerances		
Hardness		Dimensions		
Plating		Angles		