

# MIYOTA

## Cal. 6S10/20/30 CHRONOGRAPH GRANDE



### 1. Basic Specification

Calibre	6S10	6S20	6S30
Ligne	15 <sup>mm</sup>		
Overall diameter	Φ34.60mm		
Case fitting diameter	Φ32.80mm		
Total height	4.90mm		
Battery Life	Approx. 4 years**		
Battery	SILVER OXIDE SR927W or equivalent		

\*\* ( 60 minutes chronograph operation per day)

#### < Time Standard >

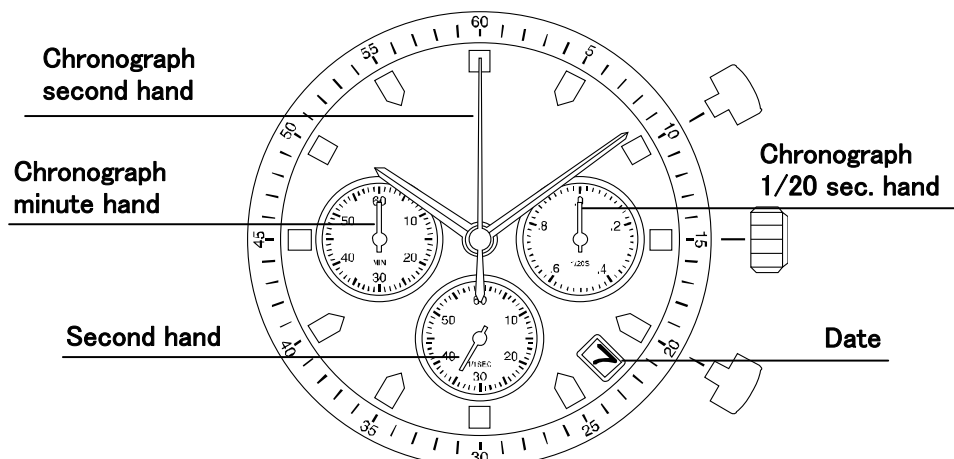
Type of quartz: Tuning fork type quartz crystal  
 Frequency : 32,768Hz  
 Accuracy : ±20 second / month worn under normal circumstances

#### < Balanceable weight of hand >

Minute hand Max. 1.0 μ Nm  
 Center Chrono Second hand Max. 0.4 μ Nm  
 Other small hands Max. 0.04 μ Nm

#### < Function >

Chronograph Minute, Second, 1/20 sec. (Up to 59min. 59 sec.)  
 4 Beats Center Second Hand  
 Date calendar  
 Powercell Saving Reset Mechanism(PSRM)  
 Over-loading Compensation Device(OLCD)  
 Digital Frequency Control(DFC) for time adjustment



## 2. Separated Parts

Setting stem

065-A13

## 3. Others

### \* Measurement of time rate

The unit(gate) time of measurement must be set at "10 sec." or integer fold value of 10 sec. Owing to the DFC system, and the measurement must be performed in the form of complete watch.

### \* Marking on movement

JAPAN  
MIYOTA CO.  
( CAL. NO.)  
NO JEWELS

### \* Typical clearance

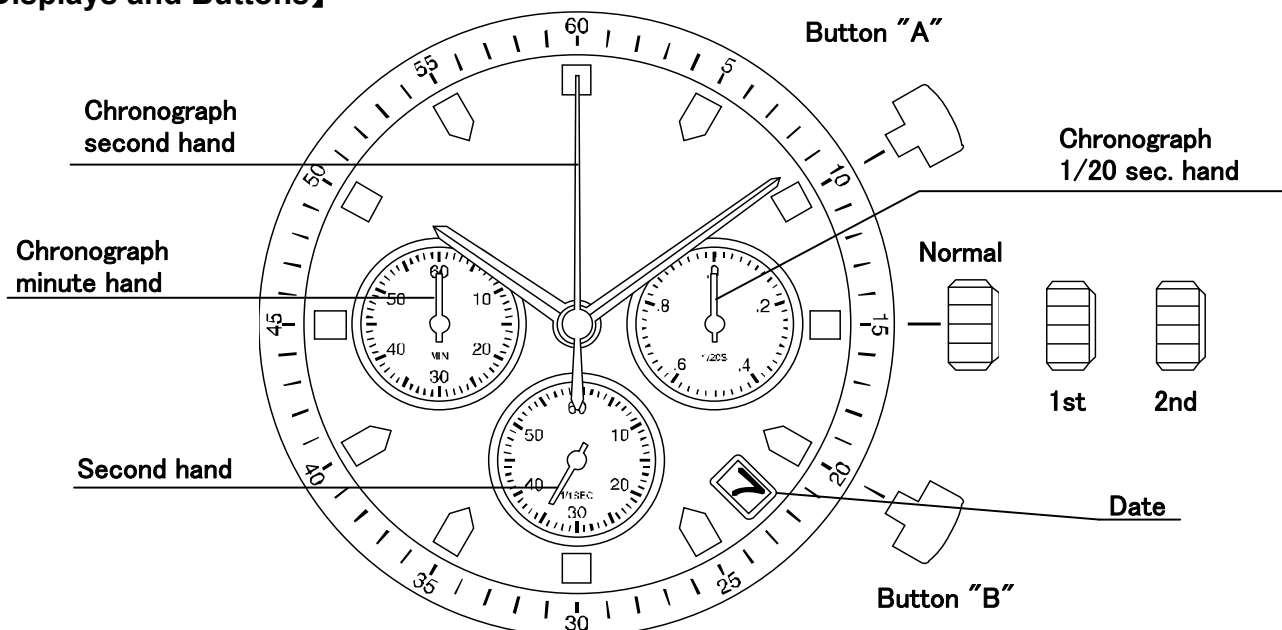
Mov't - Caseback            minimum 150 microns

Top of hands - Glass        300 - 400 microns \*

\* subject to the glass, case structure, and the length of hand

## 4. Instruction Manual

### 【Displays and Buttons】



### A) SETTING THE TIME

1. Pull the crown out to the 2nd Click Position.
2. Turn the crown clockwise to set hour and minute hands.
3. After the time has been set, push the crown back to the Normal position.

## B) SETTING THE DATE

1. Pull the crown out to the 1st Click Position.

2. Turn the crown clockwise to set the date.

\* If the date is set between the hours of around 9:00 PM and 1:00 AM, the date may not change on the following day.

3. After the date has been set, push the crown back to the Normal position.

## C) USING THE CHRONOGRAPH

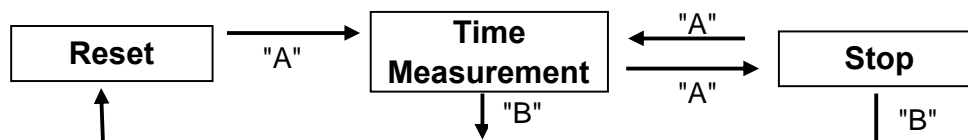
This chronograph is able to measure and display time in 1/20 second united up to maximum of 59min 59sec. The chronograph 1/20 second hand keeps continuously for 30 seconds after starting, and then stops at Zero position.

### 【Measuring time with the stopwatch】

1. Press button "A" to start the chronograph.

2. The chronograph can be started and stopped each time button "A" is pressed.

3. Press button "B" to reset the chronograph and chronograph minute and second hands return to their Zero positions.



## D) CHRONOGRAPH RESET (INCL. AFTER REPLACING BATTERY)

This procedure should be performed when the chronograph second hand does not return to the Zero position.

1. Pull the crown out to the 2nd Click Position.

2. Press the button "A" once to set the chronograph second hand to the Zero position.

3. Press the button "B" once to set the chronograph 1/20 second hand to the Zero position.

\* The chronograph hands can be advanced rapidly by continuously pressing button "A" or "B".

4. Once the hands have been set at Zero position, reset the time and return the crown to its normal position.

*These specifications might be changed without prior notice.*

**CITIZEN WATCH CO., LTD.**

2011/12/12 (14:08:33)

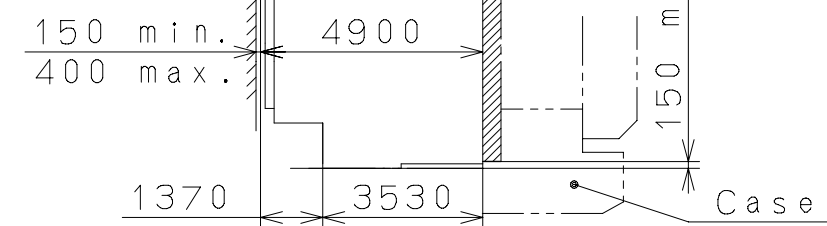
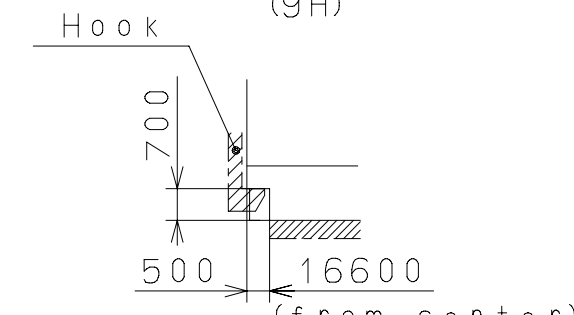
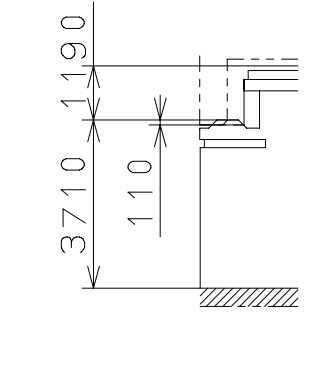
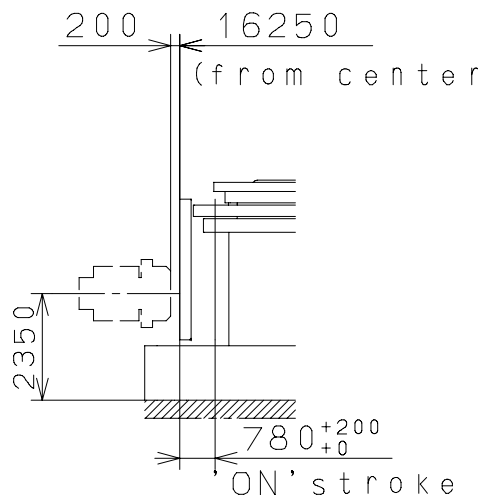
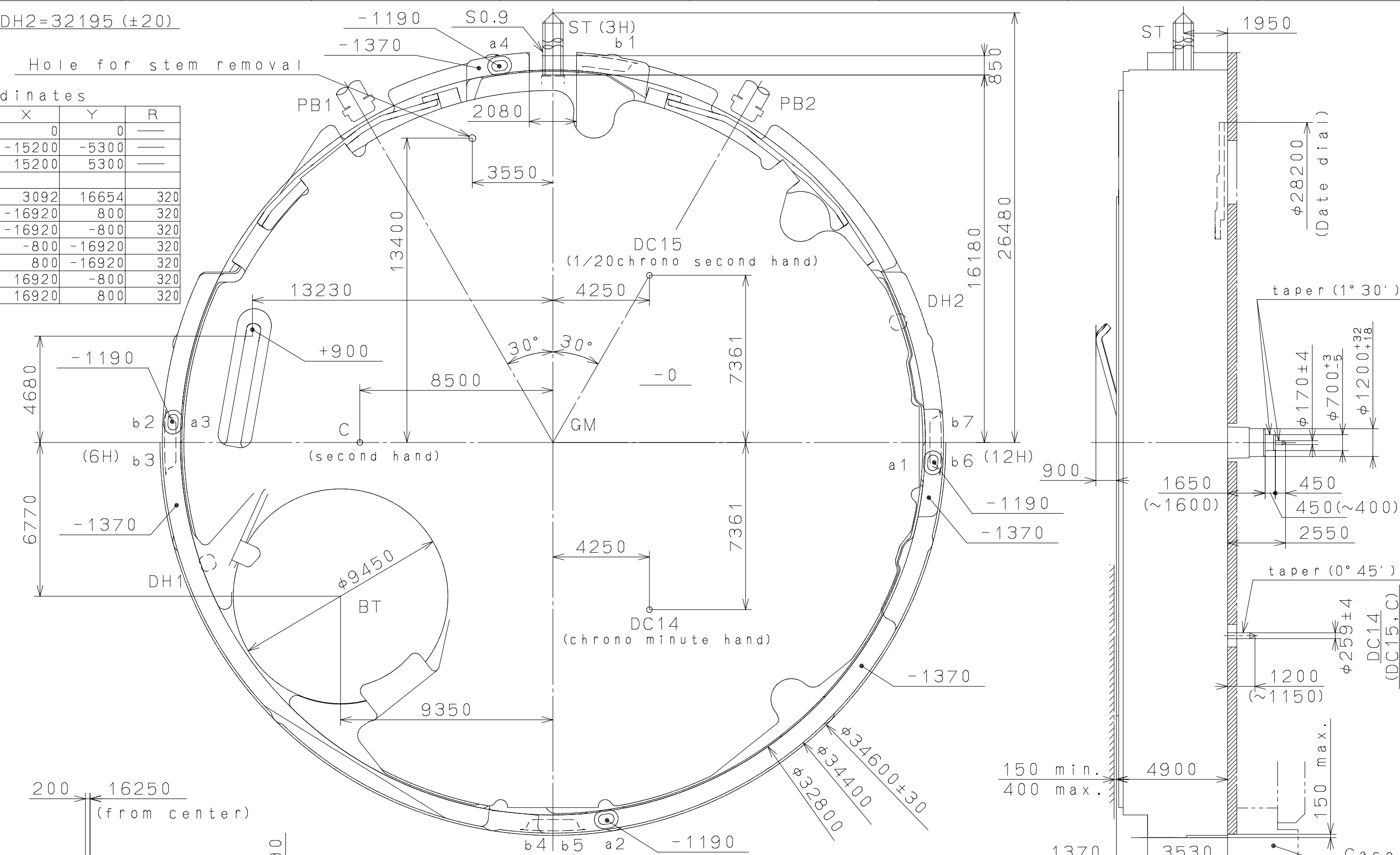
This drawing is provisional and subject to our reconfirmation and/or revision without notice.

DH1~DH2=32195 (±20)

Hole for stem removal

Coordinates

記号	X	Y	R
GM	0	0	—
DH1	-15200	-5300	—
DH2	15200	5300	—
b1	3092	16654	320
b2	-16920	800	320
b3	-16920	-800	320
b4	-800	-16920	320
b5	800	-16920	320
b6	16920	-800	320
b7	16920	800	320



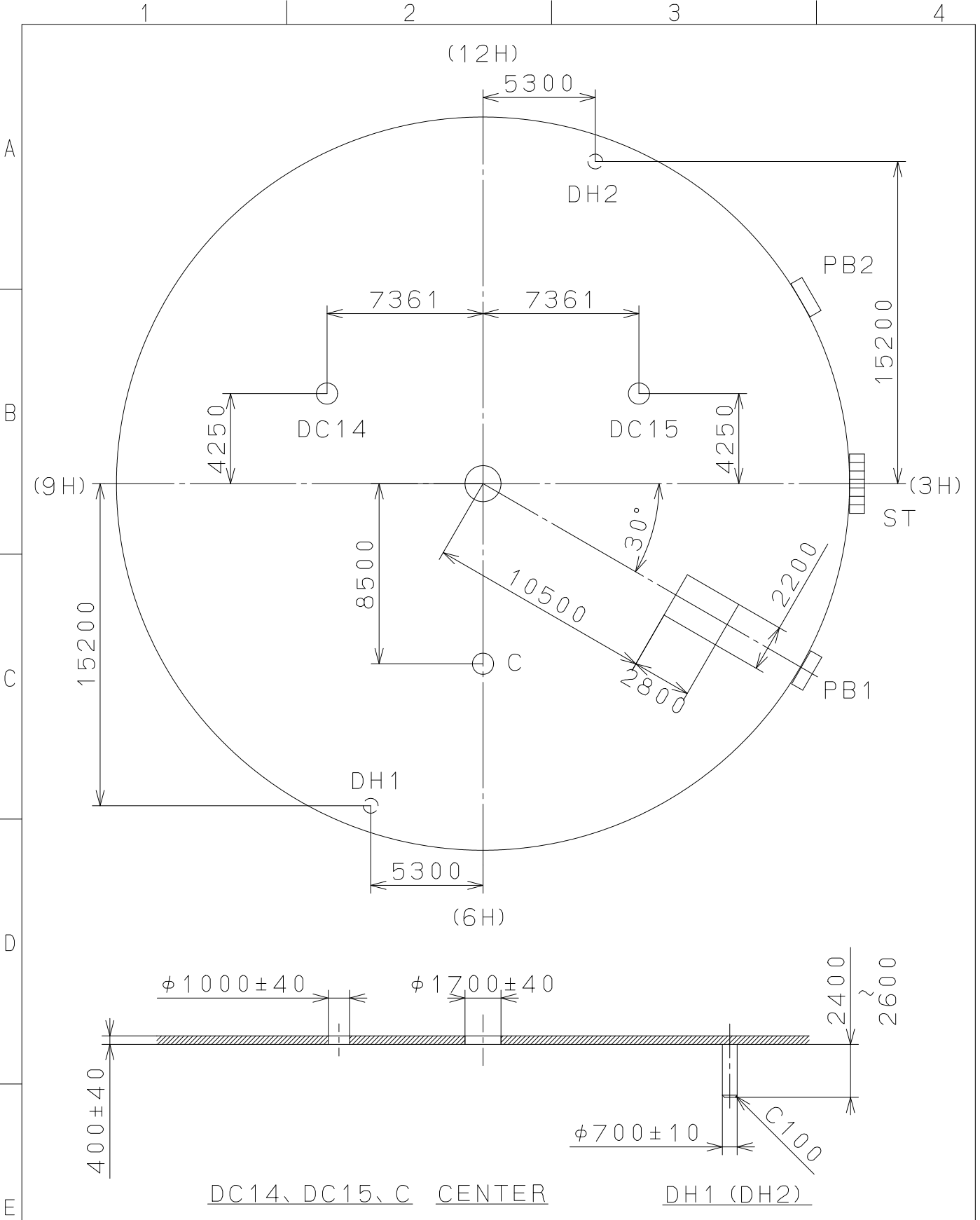
△5		Quantity		Cal.NO.:	
△4		Unit	1/1000mm		6S30
△3		Scale	6 : 1	Parts No.:	
△2		Date			
△1		Drawn			
Mark	Date	Description	Appr.	Checked	N. Suzuki
Alterations				Approved	Name:
				Frame for Case	
				Drawing No.: 6S30C001	
Material				General Tolerances	
Heat Treatment				Dimensions	
Hardness				Angles	
Plating					

**MIYOTA**

CITIZEN WATCH CO., LTD. TOKYO, JAPAN

2010/07/26 (09:02:03)

This drawing is provisional and subject to our reconfirmation and/or revision without notice.

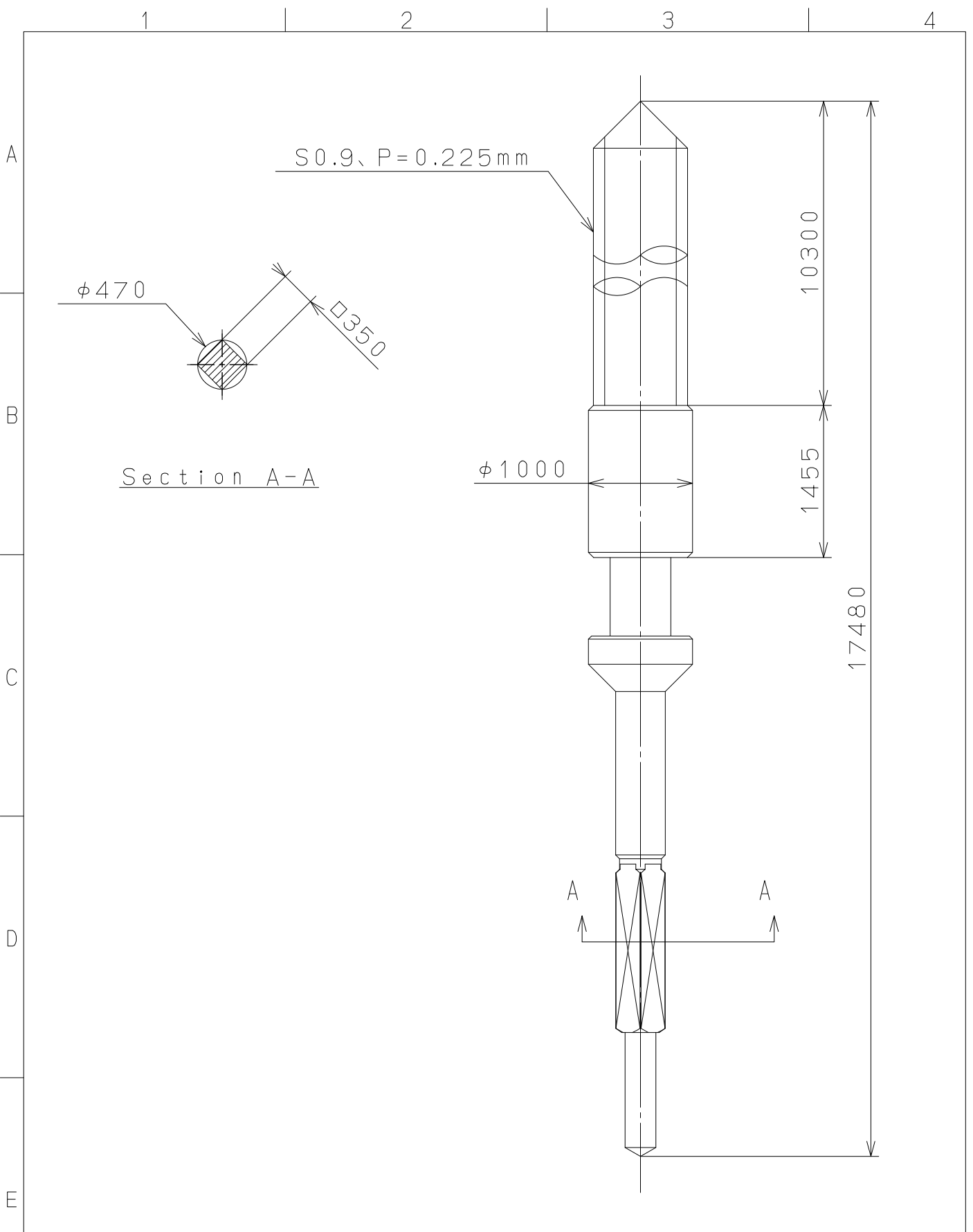


△			Quantity		Cal.NO.:
△			Unit	1 / 1000 mm	6S30-00A
△			Scale	4 : 1	Parts No.:
△			Date		
△			Drawn		
Mark	Date	Description	Appr.	Checked	Name:
		Alterations	Approved	N. Suzuki	Indications for Dial
Material					Drawing No.: 6S30D000
Heat Treatment			General Tolerances	<b>MIYOTA</b> CITIZEN WATCH CO., LTD. TOKYO, JAPAN	
Hardness			Dimensions		
Plating			Angles		

F

2010/07/26 (09:03:08)

This drawing is provisional and subject to our reconfirmation and/or revision without notice.



△5			Quantity		Cal.NO.:
△4			Unit	1/1000mm	
△3			Scale	20:1	Parts No.:
△2			Date		065-A13
△1			Drawn		
Mark	Date	Description	Appr.	Checked	Name:
		Alterations	Approved	N. Suzuki	SETTING STEM
Material					Drawing No.: A130S000
Heat Treatment			General Tolerances	<b>MIYOTA</b> CITIZEN WATCH CO., LTD. TOKYO, JAPAN	
Hardness			Dimensions		
Plating			Angles		