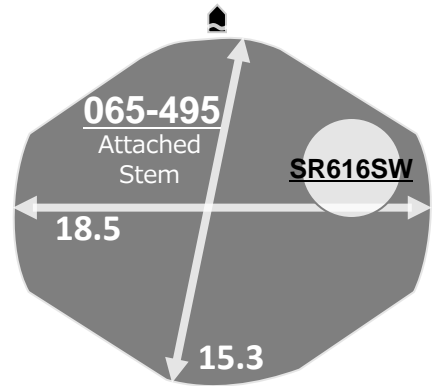


Size <ligne>	6 ¾ x8'''
Height <mm>	1.90
Accuracy <per Month>	±20 sec
Battery Life	2 years

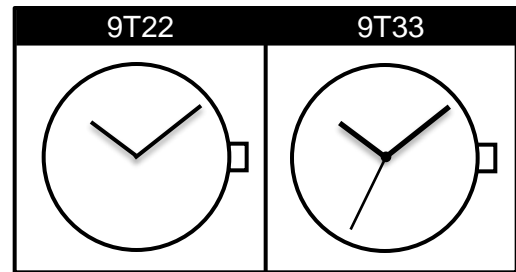


Battery consumption could be minimum by pulling out the stem

Balance Weight <µN.m>	Minute 0.40 Second 0.07
---------------------------------	----------------------------

Clearance	
------------------	--

Original Package	1,000pcs
-------------------------	----------

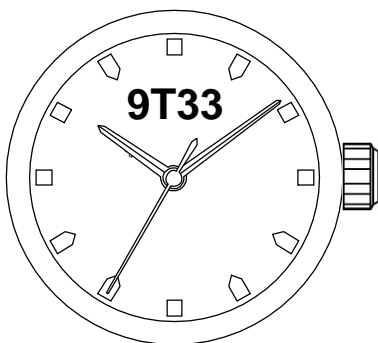
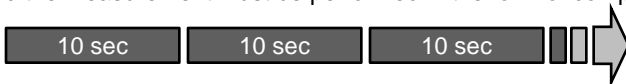


<Battery Detector Function>
As warning second hand steps every 2 seconds
When battery becomes nearly empty.
(except for Cal. 9T22/15&9U15)

Time measurement

Accuracy

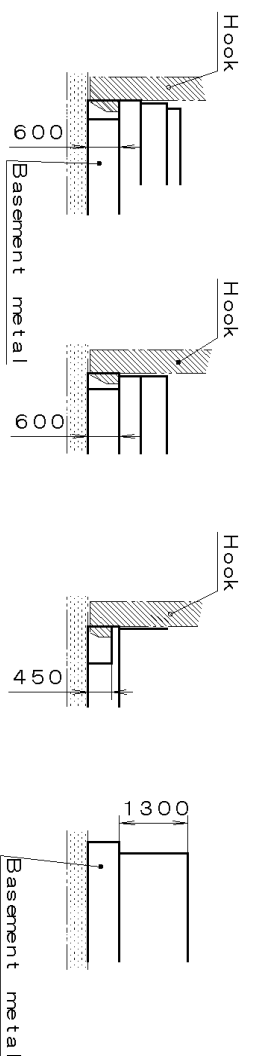
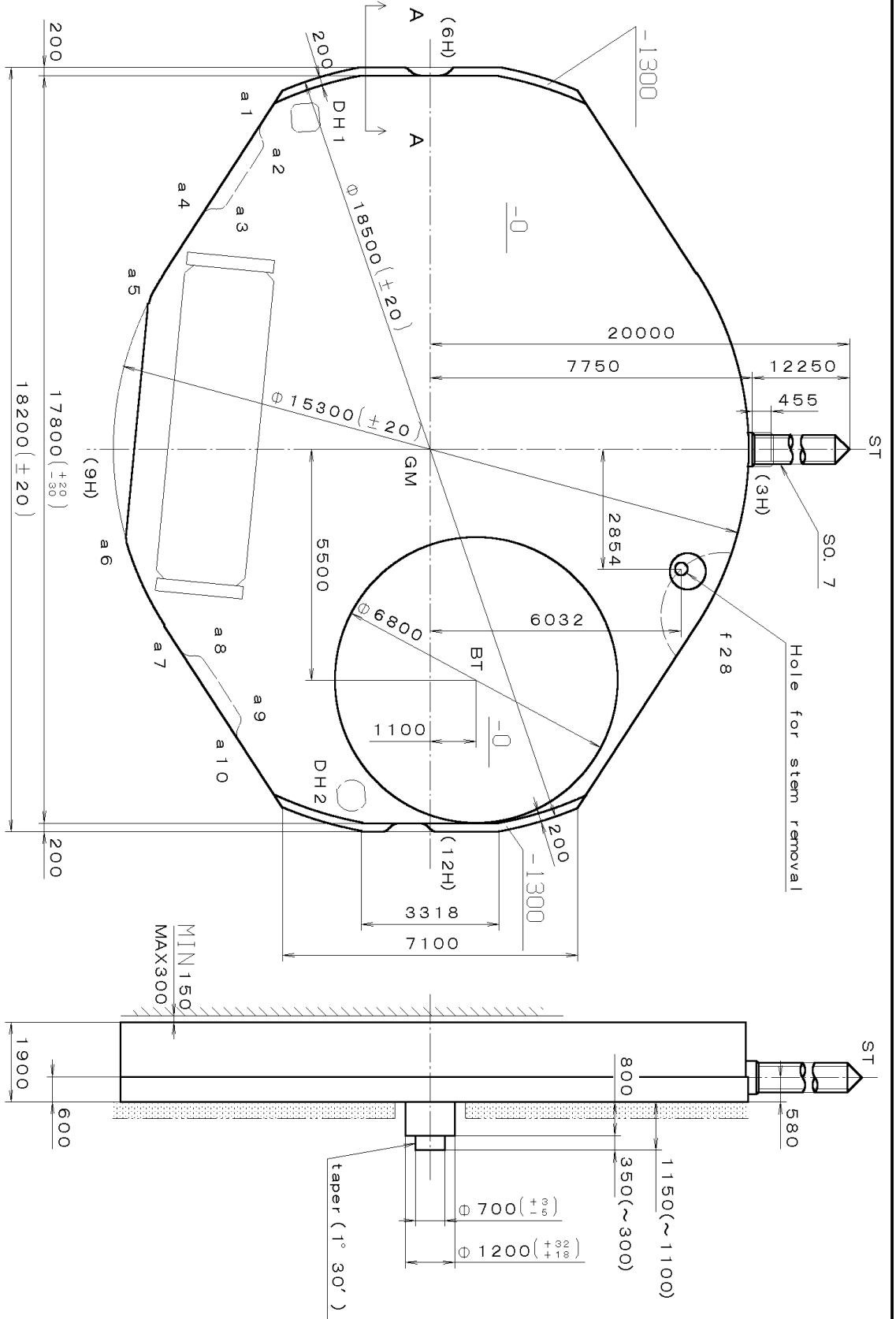
The unit (gate) time of measurement must be set at "10 sec." and the measurement must be performed in the form of complete watch.



DH1~DH2=16171 (±20)

Coordinates

Mark	X	Y	R
GM	0	0	—
f28	3957	7049	1500
DH1	-7900	-3000	—
DH2	9234	-1900	—
a1	-7569	-3928	300
a2	-7252	-4215	200
a3	-6914	-5092	200
a4	-5433	-5228	300
a5	-3437	-6393	400
a6	2156	-6922	400
a7	4625	-6757	300
a8	5106	-6621	200
a9	6444	-4745	200
a10	6761	-4358	300

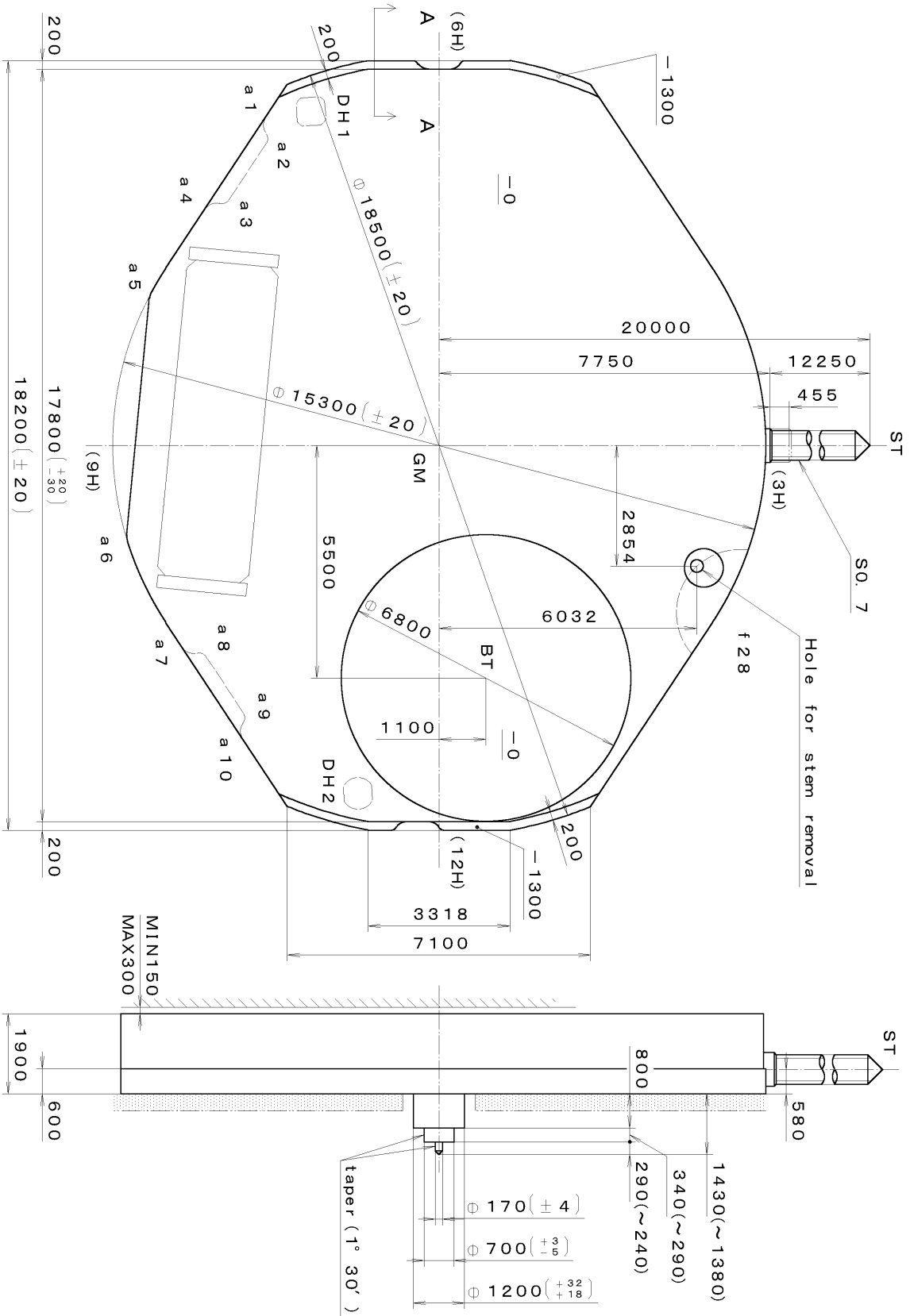


Material	Quantity	Unit	1/1000 mm	Call. No. : 9T22
Heat Treatment	Scale	10:1	Parts:	
Hardness	Date		Drawn	
Plating	Checked	T. Hiruta	Checked	
	Approved		Name:	Frame for Case
			Drawing No.:	9T22C000
General Tolerances				
Dimensions				
Angles				

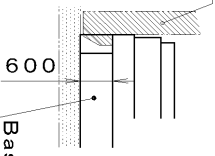
DH1~DH2= 16171 (±20)

Coordinates

Mark	X	Y	R
GM	0	0	—
f 28	3957	7049	1500
DH1	-7900	-3000	—
DH2	8234	-1900	—
a 1	-7569	-3828	300
a 2	-7252	-4215	200
a 3	-5914	-5092	200
a 4	-5433	-5228	300
a 5	-3437	-6383	400
a 6	2156	-6922	400
a 7	4625	-5757	300
a 8	5106	-5621	200
a 9	6444	-4745	200
a 10	6761	-4358	300

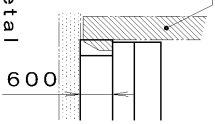


Hook



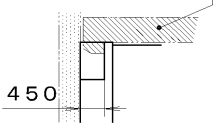
Section a1~4

Hook



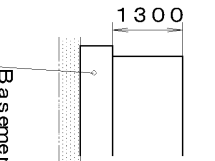
Section a7~10

Hook



Section f28

Hook

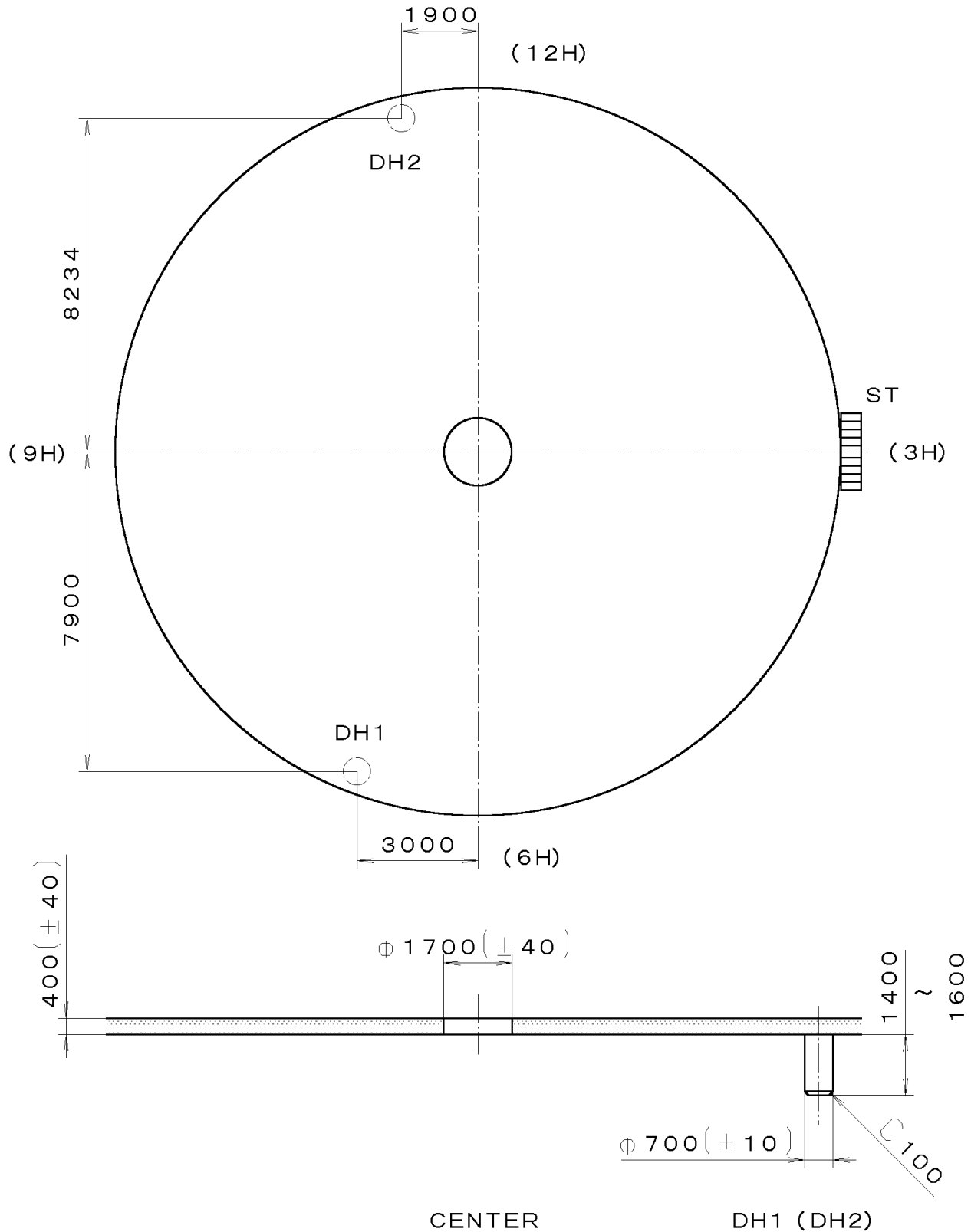


Section A-A

Material	Quantity	Unit	1/1000 mm	Cal. No. : 9T33
Heat Treatment	Scale	Scale	10:1	Parts:
Hardness	Date	Drawn		Name:
Plating	Checked	Checked	T. Hiruta	Frame for Case
	Approved	Approved		Drawing No. : 9T33C001
General Tolerances				
Dimensions				
Angles				

This drawing is provisional and subject to our reconfirmation and/or revision without notice.

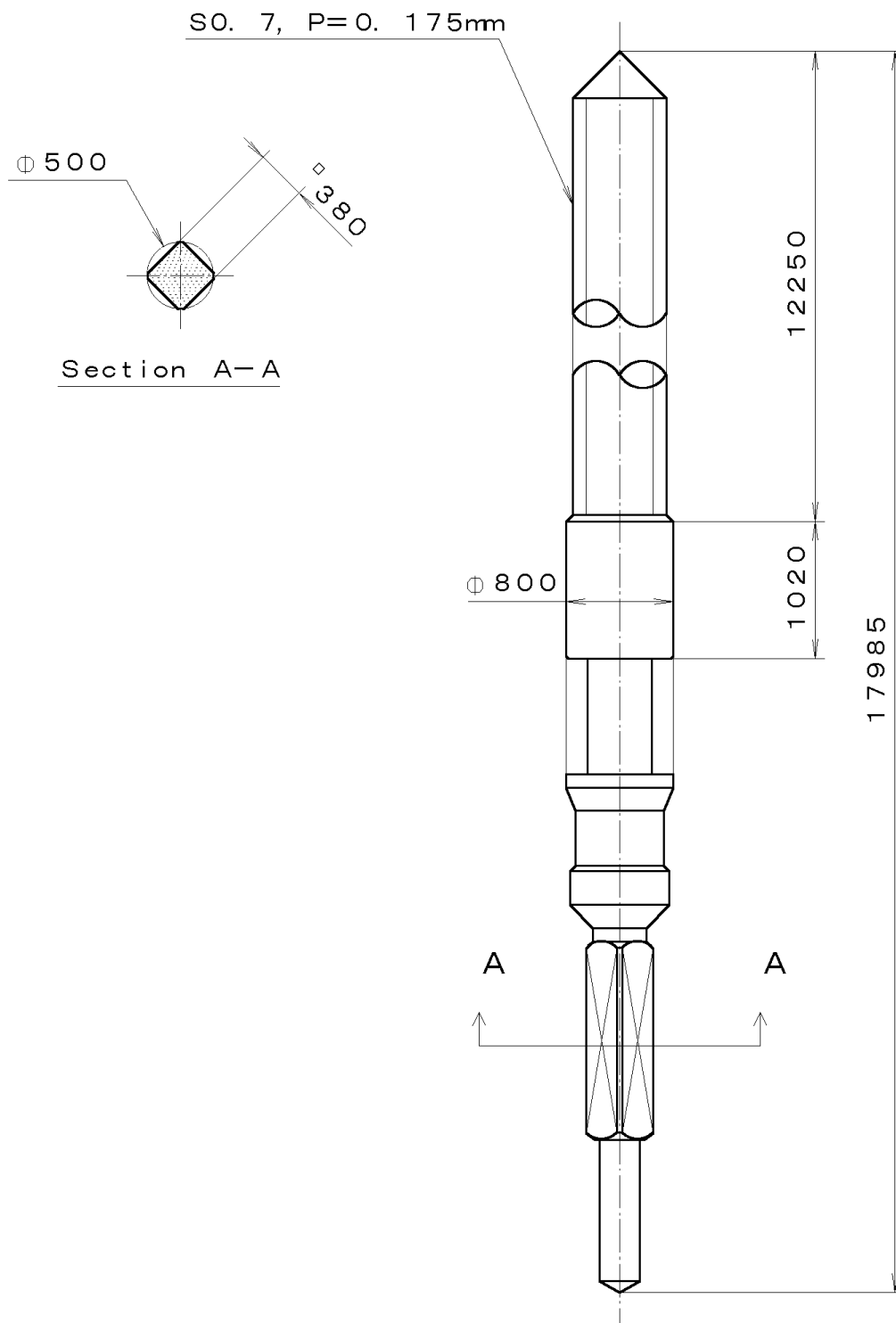
*** T I P W (01) *** (2100 1121) 00-06-22



7			Quantity		Cal. No. :	9T33-00A
6			Unit	1/1000 mm	Parts:	
5			Scale	7:1	Name:	Indications for Dial
4			Date		Drawing No. : 9T33D000	
3			Drawn			
2			Checked	T. Hiruta		
1			Approved			
Material						
Heat Treatment			General Tolerances			
Hardness			Dimensions			
Plating			Angles			

This drawing is provisional and subject to our reconfirmation and/or revision without notice.

*** T I P W (01) *** (2100 1121 A-01 A-01) 00-06-22
 065-495



7		Quantity		Ca l. No. :
6		Unit	1/1000 mm	Parts:
5		Scale	20:1	
4		Date		065-495
3		Drawn		
2		Checked	T. Hiruta	Name:
1		Approved		SETTING STEM
Material		SuS420F-DG		Drawing No. : 4950S000
Heat Treatment		焼入焼戻		General Tolerances
Hardness		HV550		
Plating		Angles		