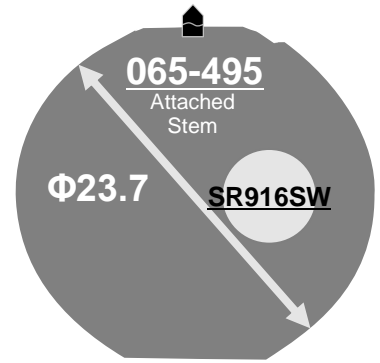
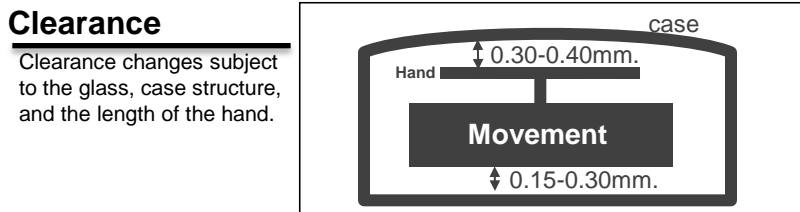


Size <ligne>	10 ½'''
Height <mm>	2.33
Accuracy <per Month>	±20 sec
Battery Life	4 years



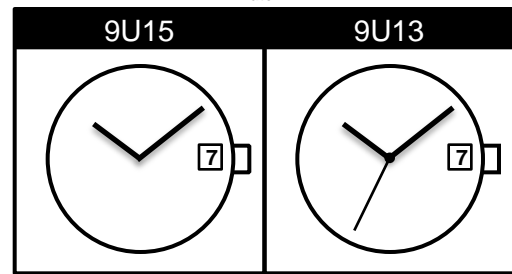
Battery consumption could be minimum by pulling out the stem

Balance Weight <μN.m>	Minute 0.40 Second 0.07
---------------------------------	----------------------------



Original Package	1,000pcs
-------------------------	----------

7
Date

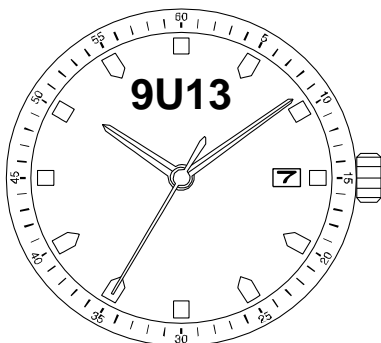
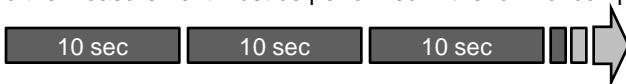


<Battery Detector Function>
As warning second hand steps every 2 seconds
When battery becomes nearly empty.
(except for Cal. 9T22/15&9U15)

Time measurement

Accuracy

The unit (gate) time of measurement must be set at "10 sec." and the measurement must be performed in the form of complete watch.



Setting the Time

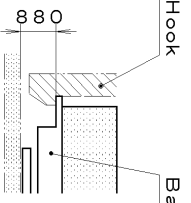
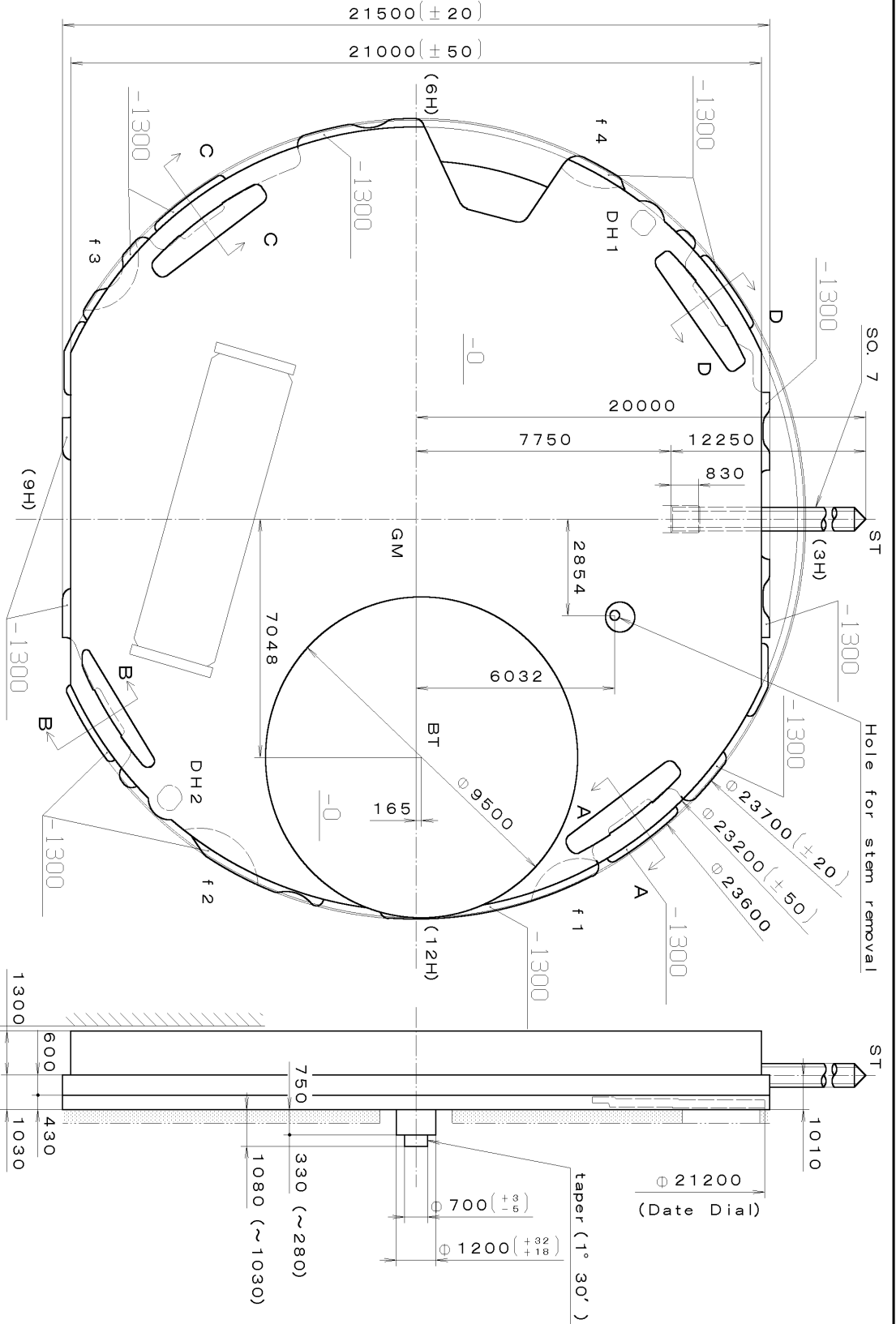
Setting the Date

DO NOT set Date between 9:00pm – 1:00am

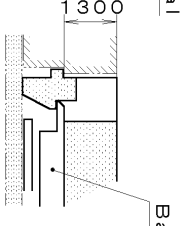
DH1~DH2=22287 (±30)

Coordinates

Mark	X	Y	R
GM	0	0	—
DH1	-8759	6900	—
DH2	8251	-7500	—
f 1	11544	4979	1500
f 2	10937	-6601	1800
f 3	-7683	-9951	1500
f 4	-11566	5760	1800



Section f1~f4

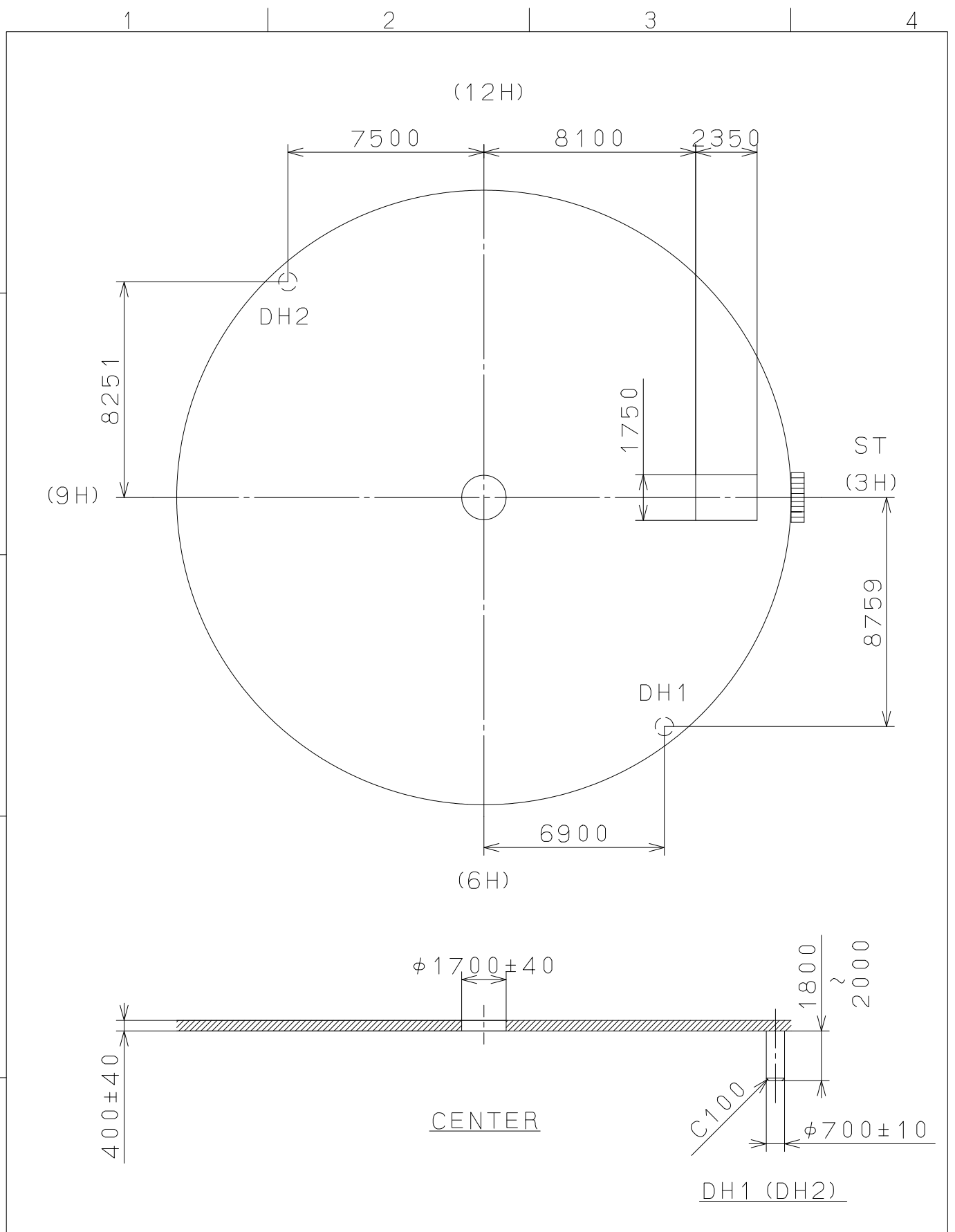


Section A-A, B-B
C-C, D-D

Material	Quantity	Unit	Cal. No. : 9U15
Heat Treatment	1/1000 mm		
Hardness	8:1		
Plating	Date		
	Drawn		
	Checked	T. Hiruta	
	Approved		
Material		Name: Frame for Case	
Heat Treatment		Drawing No. : 9U15C000	
Hardness			
Plating			
General Tolerances			
Dimensions			
Angles			

MIYOTA

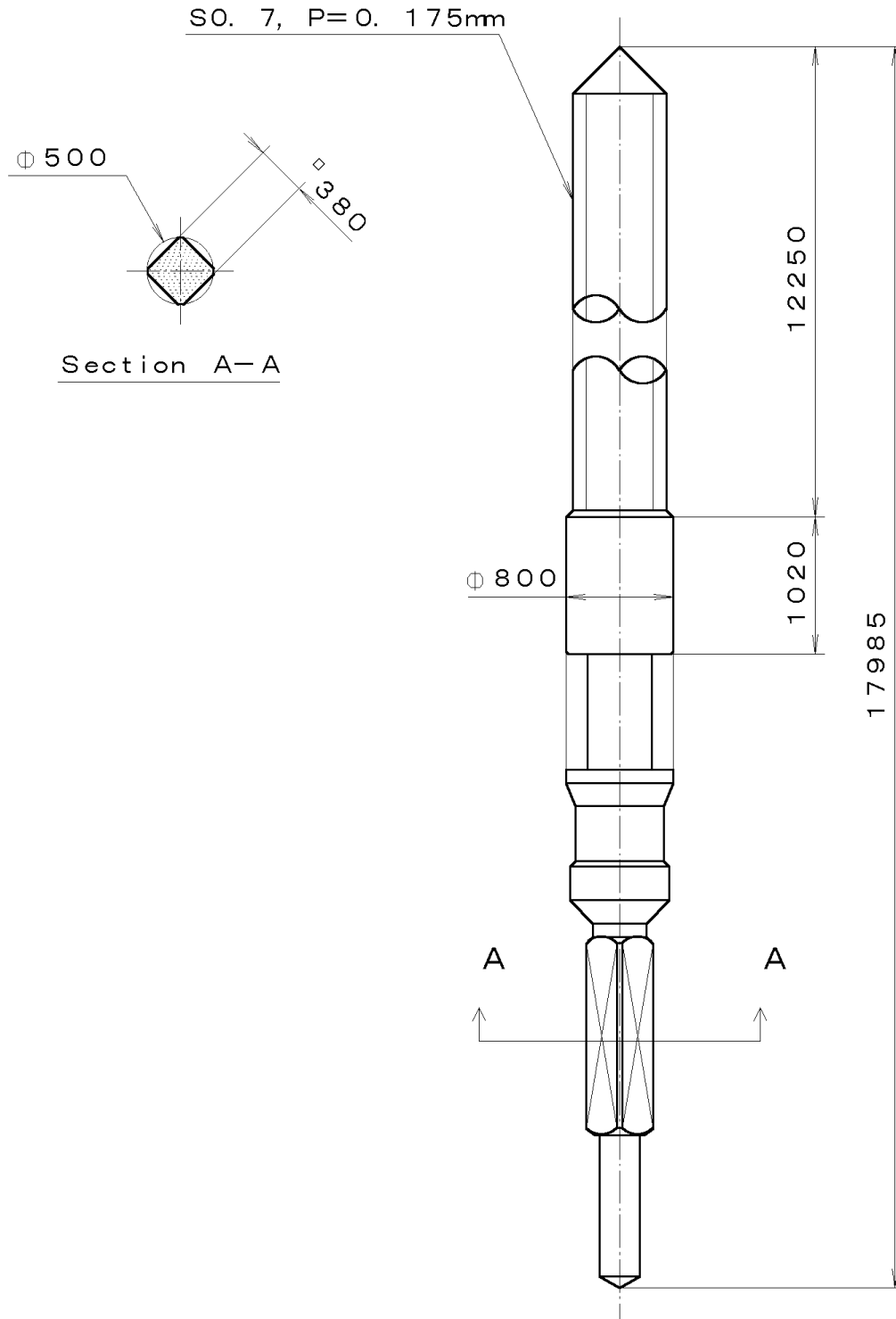
This drawing is provisional and subject to our reconfirmation and/or revision without notice.



△			Quantity		Cal.NO.:
△			Unit	1 / 1000 mm	9U15-00A
△			Scale	5 : 1	Parts No.:
△			Date		
△			Drawn		
Mark	Date	Description	Appro.	Checked M. Kobayashi	Name:
Alterations			Approved		Indications for Dial
Material					Drawing No.: 9U15D000
Heat Treatment					MIYOTA CITIZEN WATCH CO., LTD. TOKYO, JAPAN
Hardness					
Plating					

This drawing is provisional and subject to our reconfirmation and/or revision without notice.

*** T I P W (01) *** (2100 1121 A-01 A-01) 00-06-22
 065-495



7			Quantity		Ca l. No. :
6			Unit	1/1000 mm	
5			Scale	20:1	Parts:
4			Date		065-495
3			Drawn		
2			Checked	T. Hiruta	Name:
1			Approved		SETTING STEM
Material		SuS420F-DG			Drawing No. : 4950S000
Heat Treatment		焼入焼戻	General Tolerances		MIYOTA
Hardness		HV550	Dimensions		
Plating			Angles		