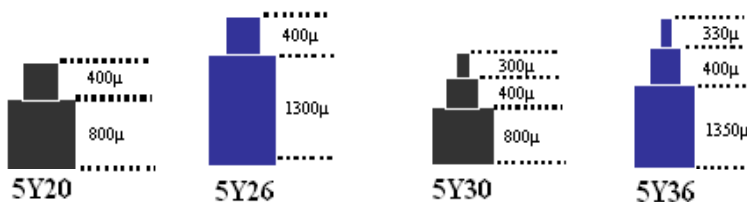


# Cal. 5Y26/5Y36

High Hand series of Cal.5Y20/5Y30



## 1. Basic Specification

Calibre	5Y26	5Y36
Ligne	5 1/2	
Size	13 x 15.15mm	
Total thickness	2.54mm	
Hands	2	3
Battery life	4	2
Battery	SR 521SW	

< Time Standard >

Type of oscillator : Tuning fork type quartz crystal  
 Oscillation : 32,768Hz  
 Accuracy : ±20 second / month worn under normal circumstances

< Battery >

Type of battery : Silver oxide SR521SW or equivalent 5.8Φ x 21

< Others >

Driving system : Two-pole stepping motor  
 Jewel : No jewels

< Balanceable weight of hand >

Minute hand Max. 0.3 µN.m  
 Second hand Max. 0.0235 µN.m (5Y36)

< Adjustment of accuracy >

Digital Frequency control (DFC)  
 No trimmer

## 2. Separated Parts

Parts Name	Parts Code
Hour wheel	075-323
Dial washer	078-440
Setting stem	065-403

## 3. Remarks

< Setting stem >

Setting Stem: 065-403  
 Length of movement center to stem end : 20.0mm  
 Thread : Φ 0.9mm x 12.38mm

< Measurement of time >

The unit time of measurement must be set at "10s" or an integer fold value of 10s. Owing to the DFC system. And the measurement must be carried out in state of a complete watch.

< Marking on movement >

UNADJUSTED NO JEWELS  
 (CAL NO.)  
 MIYOTA CO., JAPAN

< Typical clearance >

Between case and movement  
 Mov't - Caseback minimum 150 µ m or more  
 Top of hands - Glass 300 - 450 µ m\*

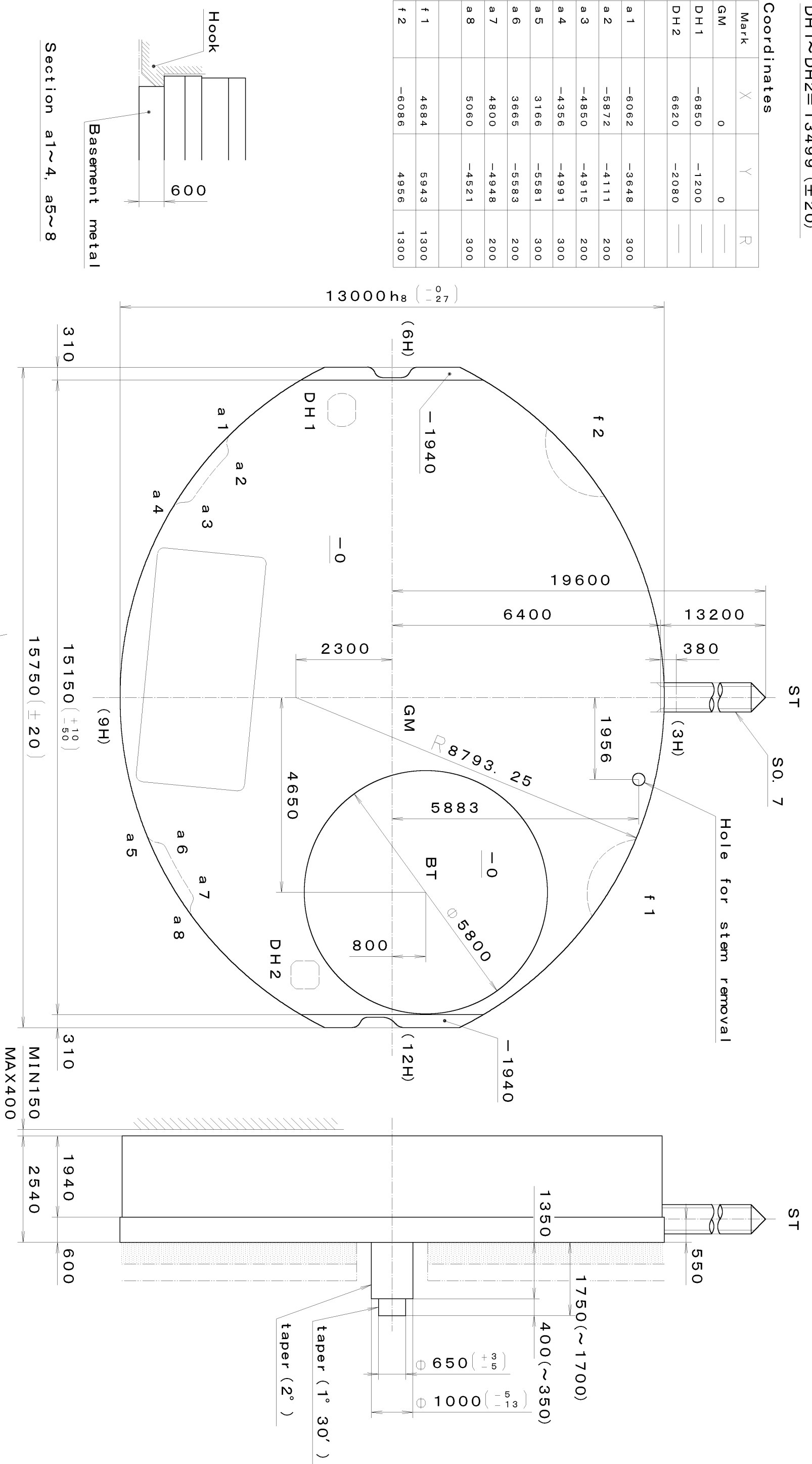
\* Depending and subject to the glass and case structure, and hand length.

**These specifications might be changed without prior notice.**

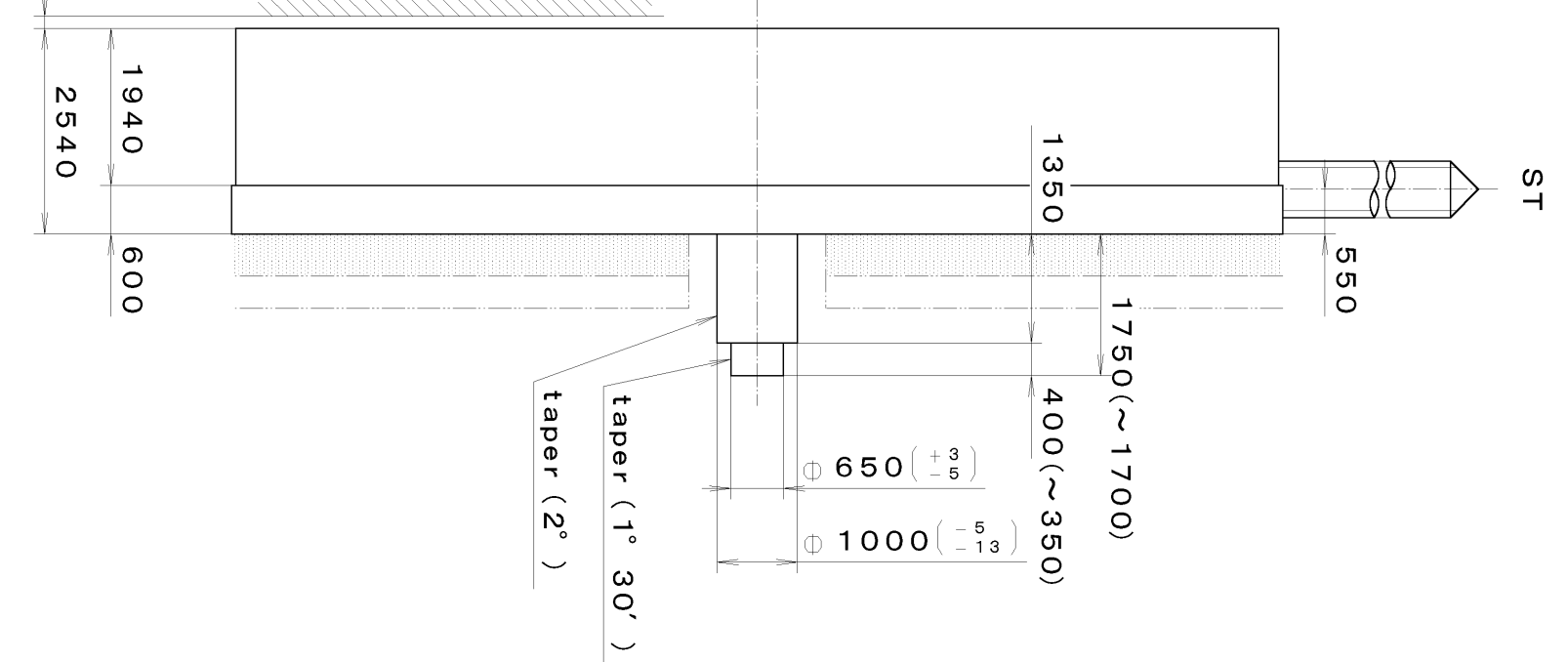
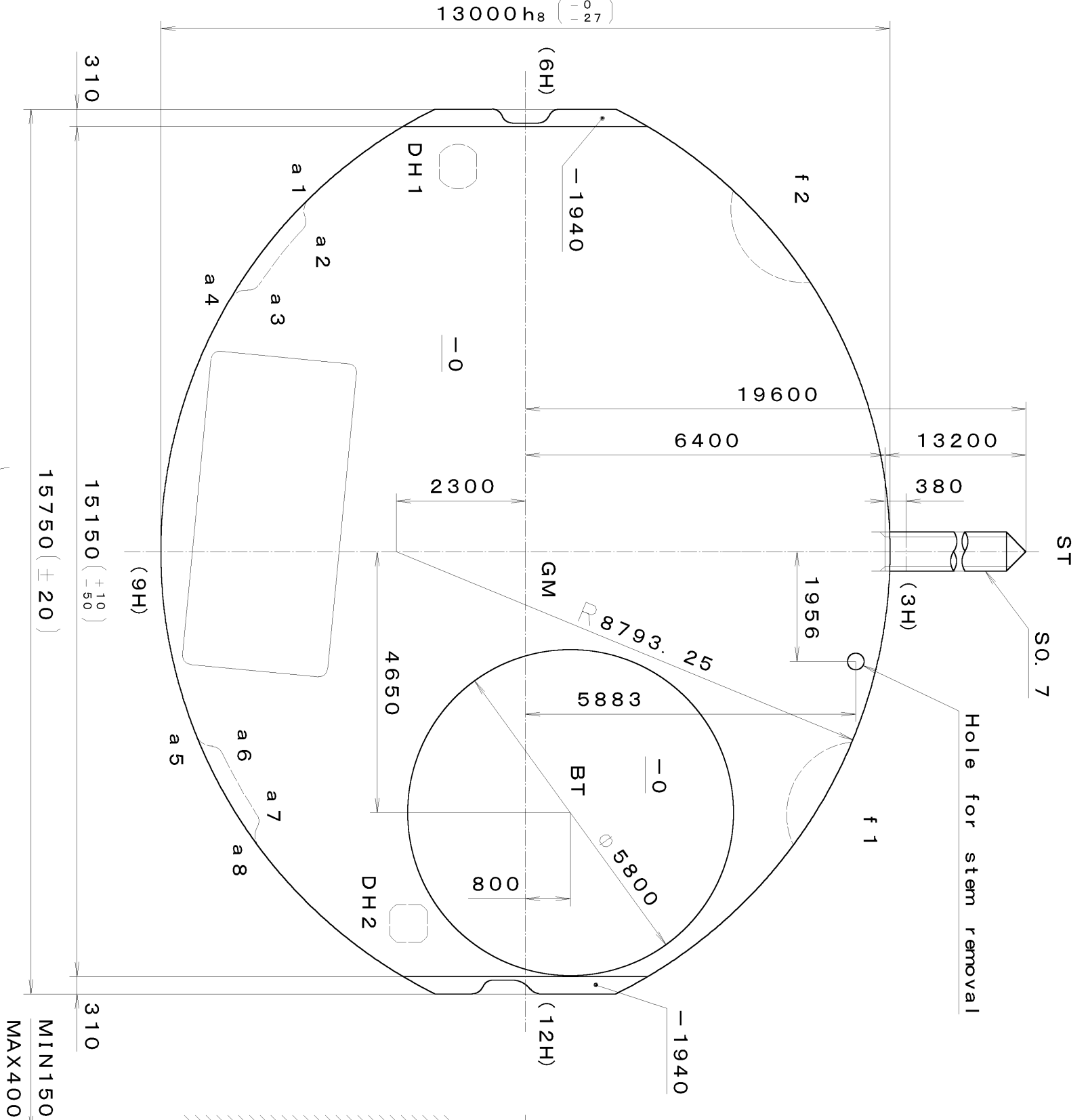
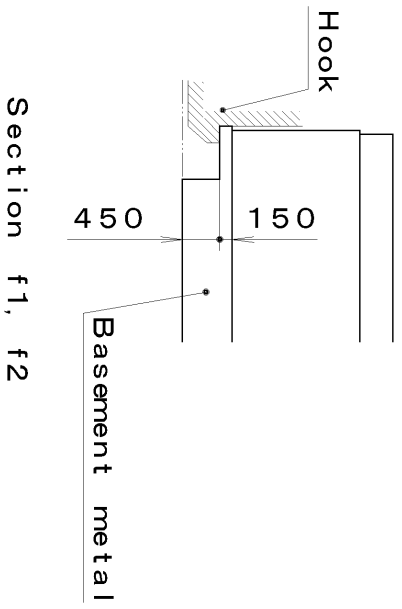
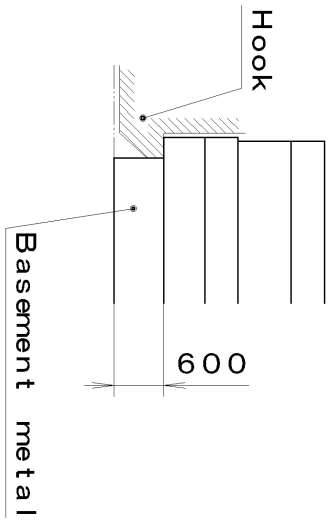
DH1~DH2=13499 (±20)

Coordinates

Mark	X	Y	R
GM	0	0	—
DH1	-6850	-1200	—
DH2	6620	-2080	—
a1	-6062	-3648	300
a2	-5872	-4111	200
a3	-4850	-4915	200
a4	-4356	-4991	300
a5	3166	-5581	300
a6	3665	-5583	200
a7	4800	-4948	200
a8	5060	-4521	300
f1	4684	5943	1300
f2	-6086	4956	1300



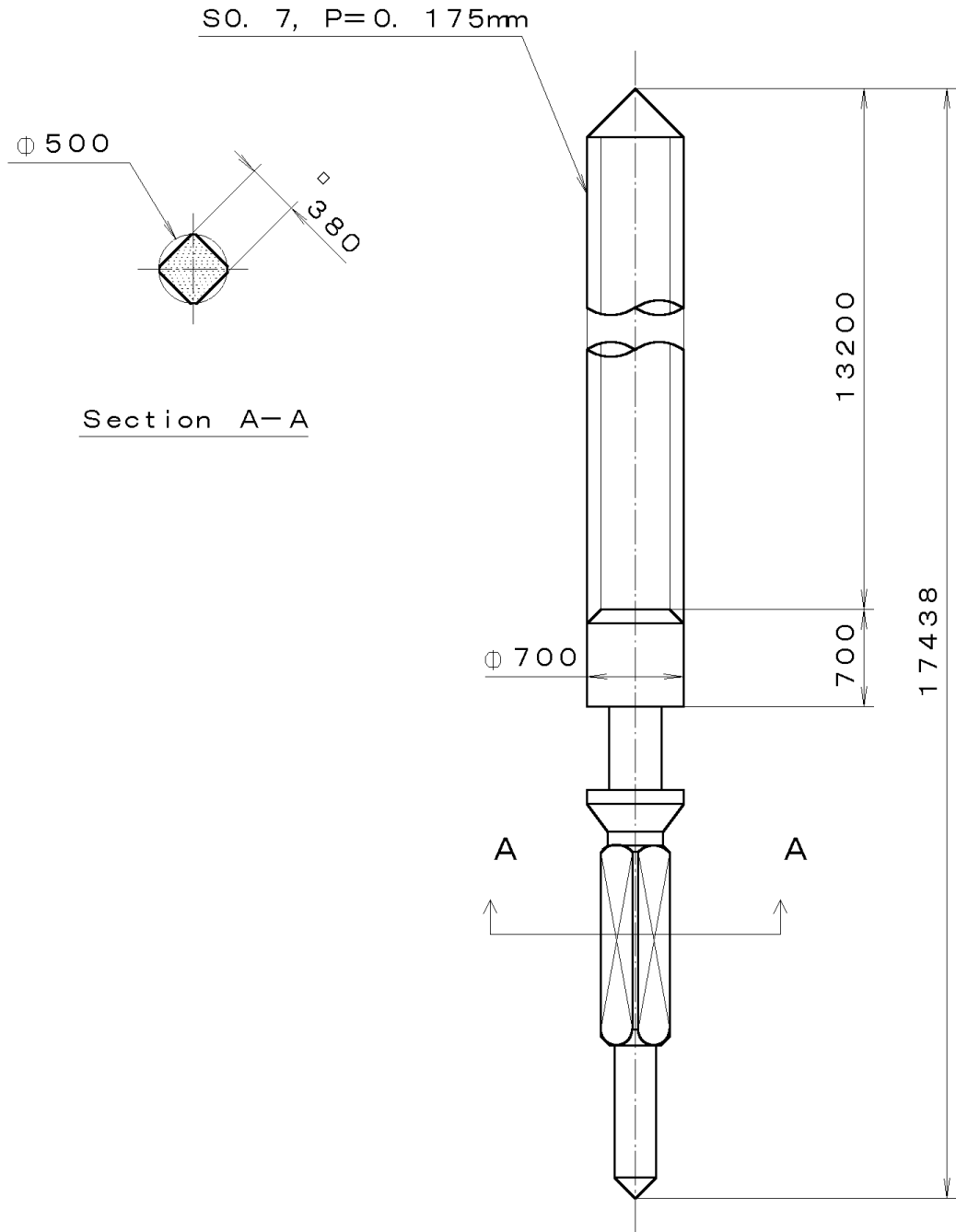
Section a1~4, a5~8



Quantity	Unit	1/1000 mm	Cal. No. : 5Y26
△	Scale	11:1	Parts:
△	Date		
△	Drawn		
△	Checked	T. Hiruta	Name: Frame for Case
△	Approved		Drawing No. : 5Y26C000
Material			
Heat Treatment			
Hardness			
Plating			
General Tolerances			
Dimensions			
Angles			

This drawing is provisional and subject to our reconfirmation and/or revision without notice.

\*\*\* T I P W (01) \*\*\* (2100 1121) 00-06-22



7			Quantity		Cal. No. :
6			Unit	1/1000 mm	Parts:
5			Scale	20:1	
4			Date		065-403
3			Drawn		
2			Checked	T. Hiruta	Name:
1			Approved		SETTING STEM
Material					Drawing No. : 4030S000
Heat Treatment			General Tolerances		
Hardness			Dimensions		
Plating			Angles		