

MIYOTA

MOVEMENT SPECIFICATIONS
CAL. 6P22 /28 ANALOG QUARTZ MOV'T
BY CITIZEN WATCH CO., LTD. JAPAN
MULTI - EYES RANGE (TWO-EYES & ONE EYE)
MANUFACTURED IN JAPAN

1. BASIC SPECIFICATION

(1) CAL. NO.

CALIBRE	6P22	6P28
Ligne	10-1/2	
Size*mm	22.6 x 22.6 x Φ 22.3	
Total height	3.45mm	
Hands	5	4
Date	at 3 o'clock position	x
Day of Week	X	
24 hour	at 6 o'clock position	
Month	X	
Battery life	3Year	
Battery	SR621SW or equivalent	

(2) Time standard

Type of quartz : Tuning fork type quartz crystal
Frequency : 32,768Hz
Accuracy : **+/-20 s/month** worn under normal circumstances

(3) Battery installed

Type of battery : Silver oxide SR621SW or equivalent

(4) Others

Driving systems : Two-pole stepping motor

(5) Balanceable weight of hand

Minute hand Max. 0.4 μ N·m
Second hand Max. 0.07 μ N·m

(6) Additional Mechanisms

Calendar : Date (Center, clockwise)
: 24 Hours (not Dual Time)

Date correction : Pull out the crown to the first click

Power conservation switch : Pull out the crown to the second click

Second hand stopping devis: Pull out the crown to the second click

2. SEPARATED PARTS

* Setting stem 065-379
Length of movement center to stem end... 20.03mm
Thread..... Φ 0.9 x 12.18mm

3. Others

*** Measurement of time rate**

The unit(gate) time of measurement must be set at "10s " or integer fold value of 10s owing to the DFC system, and the measurement must be performed in the form of complete watch.

*** Marking on movement**

**MIYOTA CO. UNADJUSTED
NO JEWEL JAPAN 6P22**

*** Typical clearance**

Mov't - Caseback	minimum 150 μ m or more
Top of hands - Glass	300 - 400 μ m *
* depending and subject to the glass and case structure, and hand length	

4. Notice Of Casing

The interval between Dial and Glass end should be 150 μ m to avoid breakage under drop.

5.Setting Instructions

(1) Setting the date (Quick change function)

Pull the crown out to the first click position and set the date by rotating the crown backyard.

If the date is set between 9:00 PM and 0:00 AM, the date will not change correctly.

(2) Setting the normal time

Pull the crown out to the second click position when the second hand reaches the 12 o'clock position so that the second hand stops there.

Then set the hour and minute hands.

When setting the minute hand, put it 4 to 5 minutes earlier than the time to be set, and then turn it back to the correct time.

Note: The day is changed during the period from about 0:00 AM to about 5:30 AM.

After the time is set, push the crown back simultaneously with the time signal.

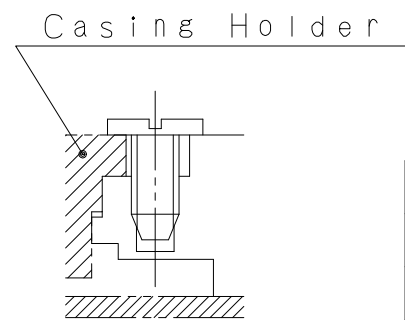
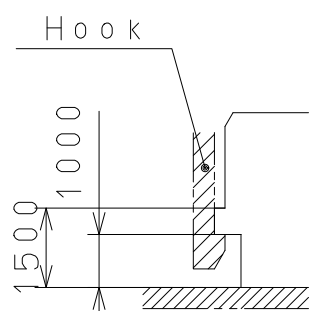
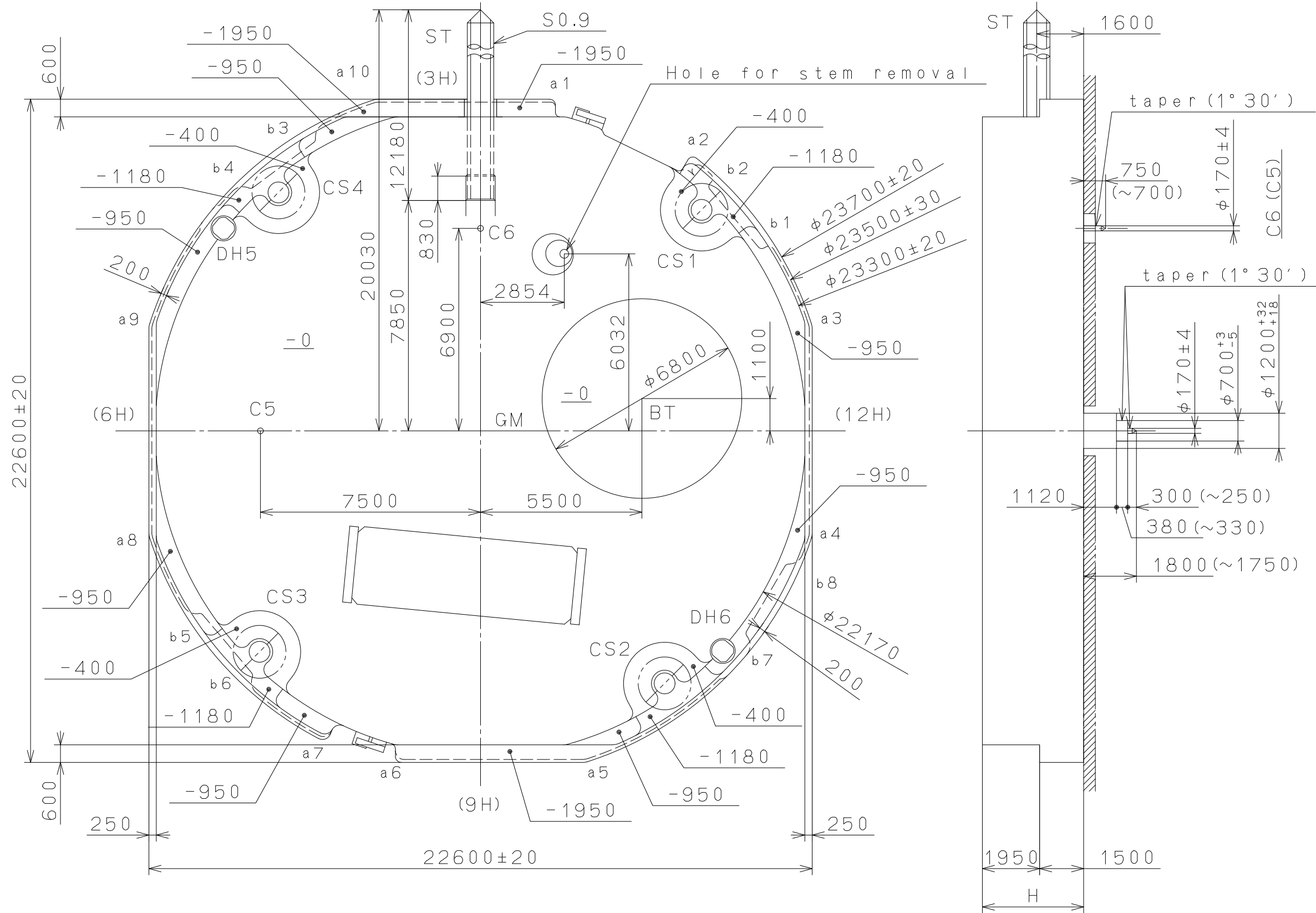
The second hand will start running at the same time.

This specifications might be changed without prior notice.

DH5~DH6=22287 (±20)

Coordinates

記号	X	Y	R
GM	0	0	—
DH5	-8759	6900	—
DH6	8251	-7500	—
a1	2351	11100	200
a2	7235	9131	200
a3	10800	3490	500
a4	10800	-3490	500
a5	3490	-10800	500
a6	-2700	-11100	200
a7	-5389	-10216	300
a8	-10800	-3490	500
a9	-10800	3490	500
a10	-3490	10800	500
b1	9581	6360	150
b2	7928	8331	150
b3	-5773	9946	150
b4	-7839	8415	150
b5	-9572	-6374	150
b6	-7916	-8342	150
b7	9196	-6906	150
b8	10501	-4690	150



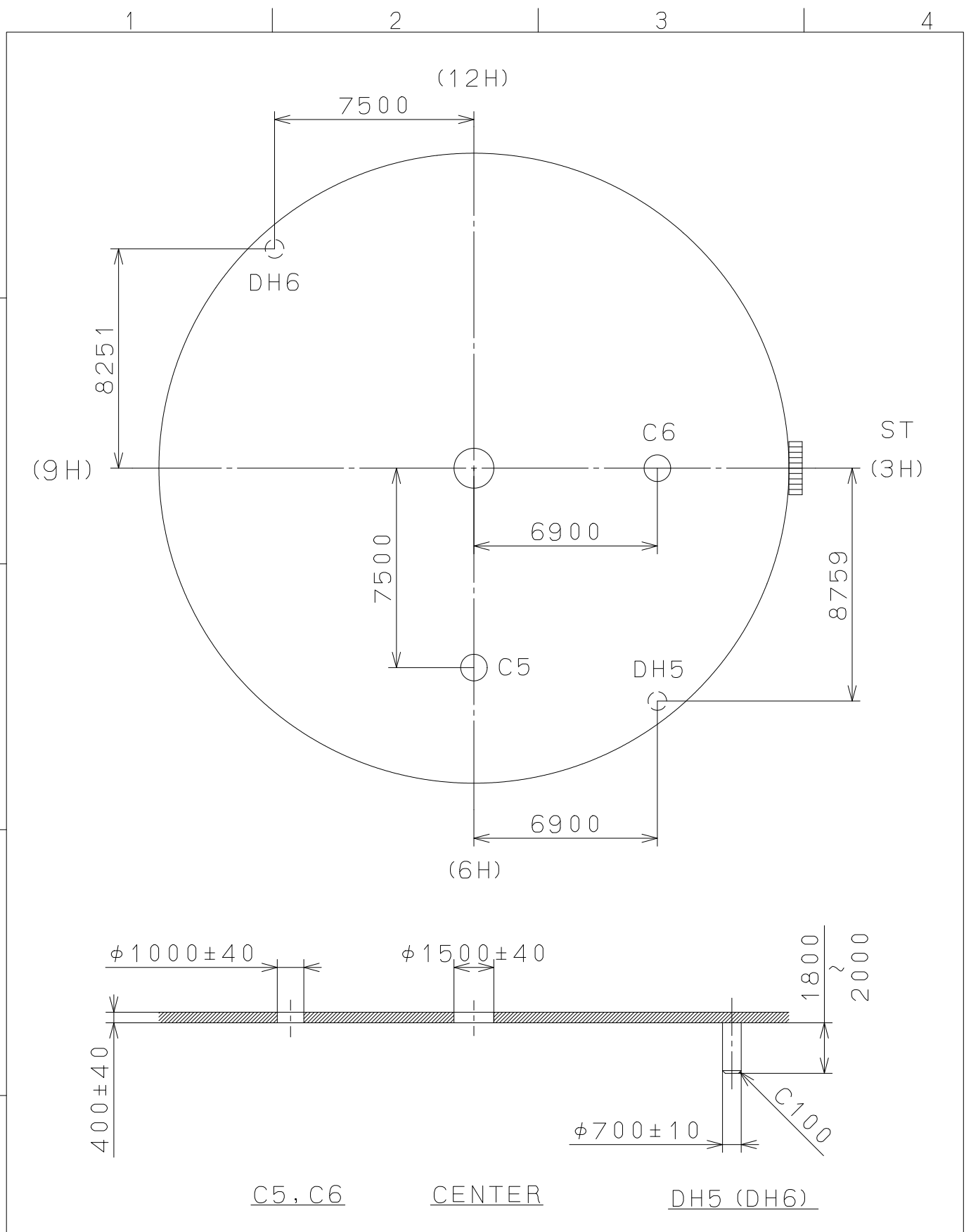
	H
With Battery strap	3600
Without Battery strap	3450

△5		Quantity		Cal.NO.:	
△4		Unit	1/1000mm		6P22
△3		Scale	7:1	Parts No.:	
△2		Date			
△1		Drawn			
Mark	Date	Description	Appr.	Checked	E. Murakami
Alterations				Approved	
Material				Name:	
Heat Treatment				Frame for Case	
Hardness				Drawing No.: 6P22C000	
Plating					
				General Tolerances	
				Dimensions	
				Angles	

MIYOTA

CITIZEN WATCH CO., LTD. TOKYO, JAPAN

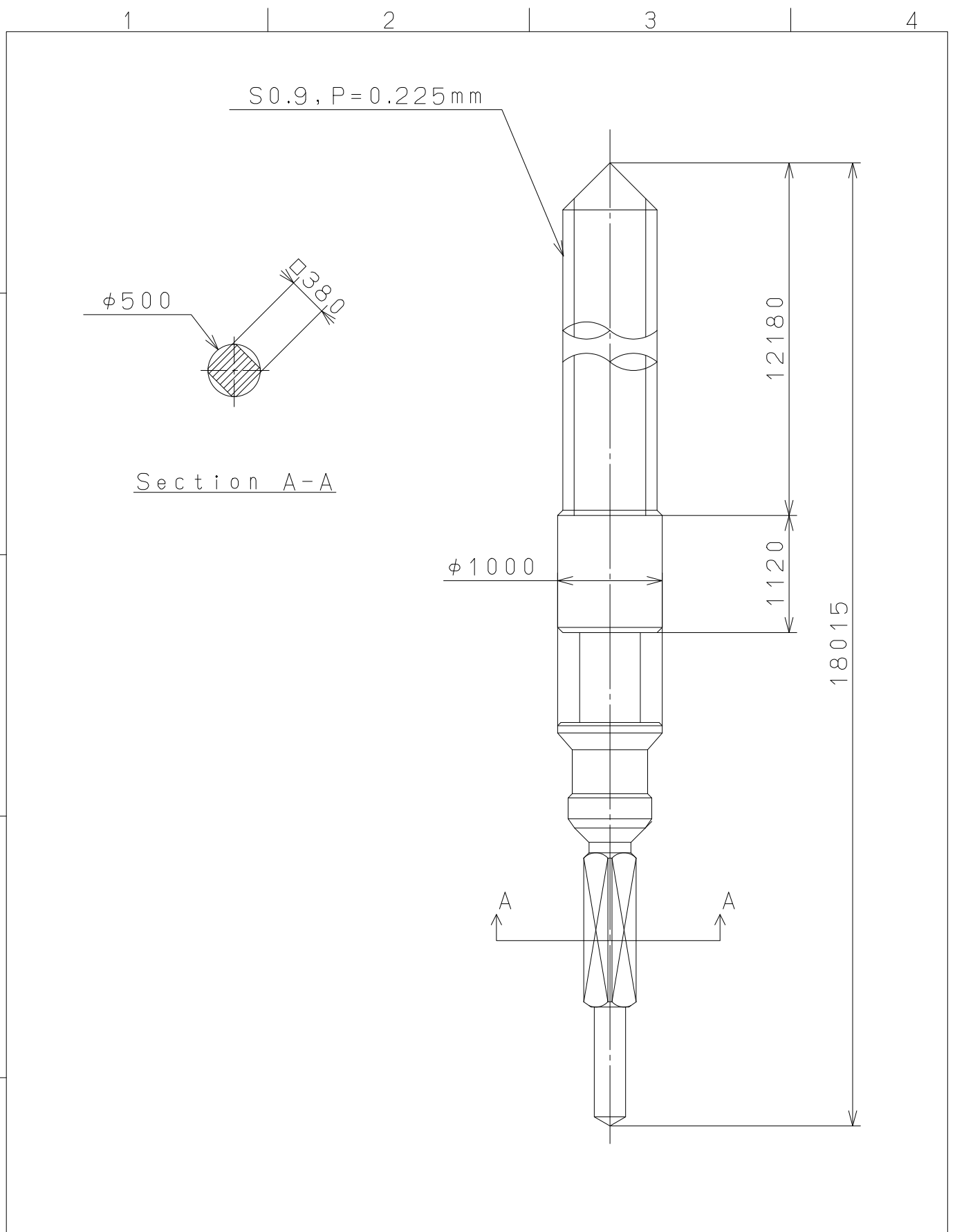
This drawing is provisional and subject to our reconfirmation and/or revision without notice.



△			Quantity		Cal.NO.:
△			Unit	1 / 1000 mm	6P22-00A
△			Scale	5 : 1	Parts No.:
△			Date		
△			Drawn		
Mark	Date	Description	Appro.	Checked	Name:
		Alterations	Approved	E. Murakami	Indications for Dial
Material					Drawing No.: 6P22D000
Heat Treatment			General Tolerances	MIYOTA CITIZEN WATCH CO., LTD. TOKYO, JAPAN	
Hardness			Dimensions		
Plating			Angles		

2010/05/12 (17:15:34)

This drawing is provisional and subject to our reconfirmation and/or revision without notice.



⑤			Quantity		Cal.NO.:
④			Unit	1/1000 _{mm}	
③			Scale	20:1	Parts No.:
②			Date		065-379
①			Drawn		
Mark	Date	Description	Appro.	Checked	T.Hiruta
Alterations			Approved	Name:	
			SETTING STEM		
Material					Drawing No.:3790S000
Heat Treatment					MIYOTA CITIZEN WATCH CO.,LTD. TOKYO,JAPAN
Hardness					
Plating					