

MOVEMENT SPECIFICATIONS  
**CAL. 6P00/20/21/24/26 ANALOG QUARTZ MOV'T**  
 BY CITIZEN WATCH CO., LTD. JAPAN  
**MULTI - EYES RANGE**  
 MANUFACTURED IN JAPAN

**1. BASIC SPECIFICATION**

(1) CAL. NO.

CALIBRE	6P00	6P20	6P21	6P24	6P26
Ligne	'10-1/				
Size*mm	22.6 x 22.6 x $\Phi$ 23.3				
Total height	3.45mr				
Hands	6	5	5	3	4
Date	○	○	○	X	○
Day of Week	○	○	○	X	X
Moon Phase	○	○	○	○	X
moon phase color	BLUE	BLUE	BLUE	GREY	X
Month	○	X	X	X	X
Battery life	3Year				
Battery	SR621SV or equivalent				

(2) Time standard

Type of quartz : Tuning fork type quartz crystal  
 Frequency : 32,768Hz  
 Accuracy : **+/-20 s/month** worn under normal circumstances

(3) Battery installed

Type of battery : Silver oxide SR621SW or equivalent

(4) Others

Driving systems : Two-pole stepping motor

(5) Balanceable weight of hand

Minute hand Max. 0.4  $\mu$  N·m  
 Second hand Max. 0.07  $\mu$  N·m

(6) Additional Mechanisms

Power conservation switch : Pull out the crown to the second click  
 Second hand stopping device : Pull out the crown to the second click

**2. SEPARATED PARTS**

\* Setting stem 065-379  
 Length of movement center to stem end... 20.03mm  
 Thread.....  $\Phi$ 0.9 x 12.18mm

**3. Others**

**\* Measurement of time rate**

The unit(gate) time of measurement must be set at "10s " or integer fold value of 10s owing to the DFC system, and the measurement must be performed in the form of complete watch.

**\* Marking on movement**

**6P\*\***  
**MIYOTA CO. UNADJUSTED**  
**NO JEWEL**  
**JAPAN**

**\* Typical clearance**

Mov't - Caseback minimum 150  $\mu$ m or more  
 Top of hands - Glass 300 - 400  $\mu$ m \*  
 \* depending and subject to the glass and case structure, and hand length

**4. Notice Of Casing**

- (1) The month corrector button should be hidden for preventing the error of action.
- (2) The returning pressure of the month corrector button should be Min.200g

**5.Setting Instructions**





(1) setting the day (it can NOT be set by quick-adjustment.) ( 6P00,6P20,6P21 )  
 Set the day by pulling out the crown to second click position and rotating it forward ( to rotate the hour and minute hands clockwise).  
 If the day is set by rotating the crown backyard (rotating the hour and minute hands counter-clockwise), the date may not be changed.  
 Note: The day is changed during the period from about 0:00 AM to about 5:30 AM

(2) Setting the date (Quick change function) ( 6P00,6P20,6P21,6P26 )  
 Pull the crown out to the first click position and set the date by rotating the crown backyard.  
 If the date is set between 9:00 PM and 0:00 AM, the date will not change correctly.

(3) Setting the normal time ( for ALL caliber )  
 Pull the crown out to the second click position when the second hand reaches the 12 o'clock position so that the second hand stops there.  
 Then set the hour and minute hands.  
 When setting the minute hand, put it 4 to 5 minutes earlier than the time to be set, and then turn it back to the correct time.  
 Note: The day is changed during the period from about 0:00 AM to about 5:30 AM.  
 After the time is set, push the crown back simultaneously with the time signal.  
 The second hand will start running at the same time.

(4) Setting the month ( 6P00 )  
 Each time the month setting button is pushed, the month is moved clockwise by one month. If the button is not pushed to the end, the month is not changed perfectly. Be sure to push it to the end firmly.  
 The month changes at about 0:00 AM on the 1st day of the next month.  
 Note: Do not change the month while the date hand lies between the 26th and the 31st. In this case, set the date hand out of this period to adjust the month after this operation, set the date hand again.  
 When the time passes from a month with 30 or less days to a 31-day month, please correct the date hand. The month is also changed automatically.

(5) Reading and setting the age of the moon. ( 6P00,6P20,6P21,6P24 )  
 Age of the moon  
 The age of the moon is determined by the period between each new moon. This period is approximately 29.5days.

New Moon Moon's age : 0 Spring tide	First quarter moon Moon's age : 7 Neap tide	Full moon Moon's age : 15 Spring tide	Last quarter moon Moon's age : 22 Neap tide
			

\*\* index of moon age

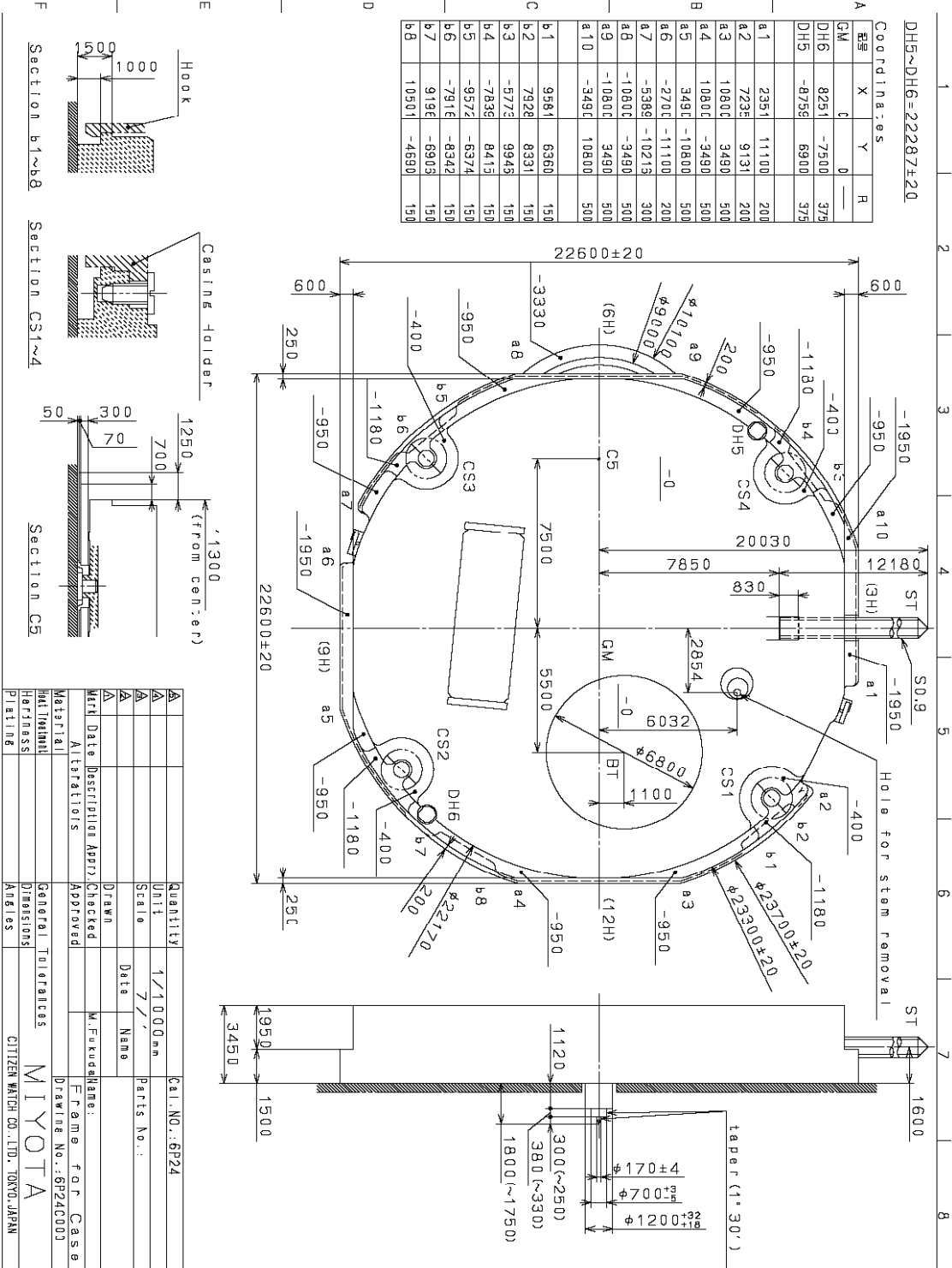
The moon dial represents the age of the moon: The actual shape of the moon during each phase in not represented.  
 Use the moon dial indication as a guide to the age or phase of the moon

**Setting age of the moon**

Check the newspaper or another source that lists the current age of the moon.  
 Reffering to above \*\*index , set the moon dial to the age (0,7,15 or 22) closest to that index position.  
 More accurate settings can be made at the time of the new moon (0) or full moon (15)

*This specifications might be changed without prior notice.*

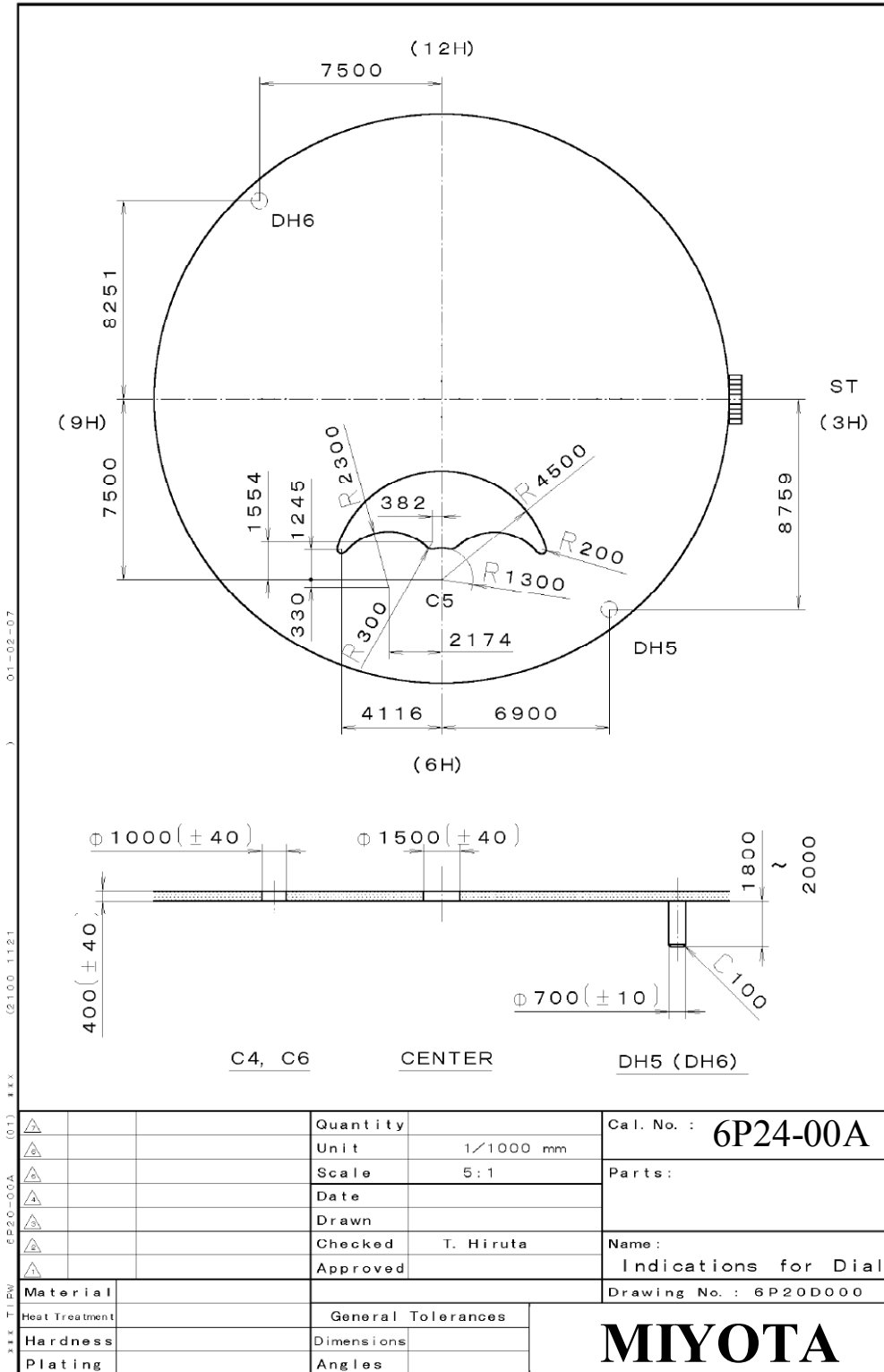
This drawing is provisional and subject to our reconfirmation and/or revision without notice.



Material	Quantity	Unit	Cal. NO.:
Material	1	1/1000mm	6P24
Material	1	Scale	Parts No.:
Material	1	Date	Name
Material	1	Checked	M. Fukuda
Material	1	Approved	Frame for Case
Material	1	Drawn	Drawn No.: 6P24C001
Material	1	Checked	
Material	1	Approved	
Material	1	Drawn	
Material	1	Checked	
Material	1	Approved	

General Tolerances  
 DIMENSIONS  
 MIIYOTA  
 CITIZEN WATCH CO., LTD., TOKYO, JAPAN

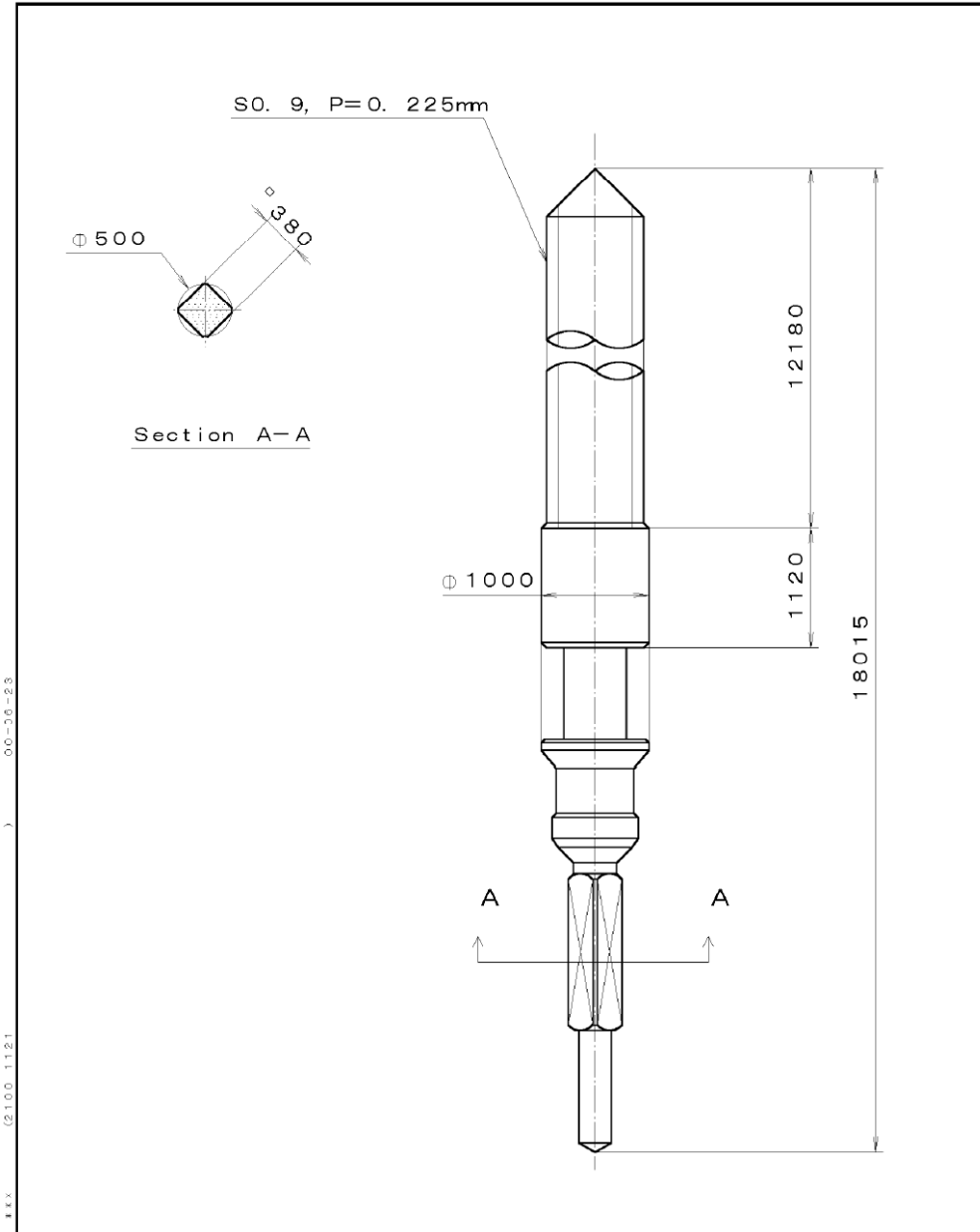
This drawing is provisional and subject to our reconfirmation and/or revision without notice.



△		Quantity	Cal. No. : 6P24-00A
△		Unit 1/1000 mm	Parts:
△		Scale 5:1	
△		Date	
△		Drawn	
△		Checked T. Hiruta	
△		Approved	Name : Indications for Dial
Material		General Tolerances	Drawing No. : 6P20D000
Heat Treatment		Dimensions	<b>MIYOTA</b>
Hardness		Angles	
Plating			

0.1-02-07  
 (2100, 1121)  
 CP20-00A (01) KX  
 TIRW

This drawing is provisional and subject to our reconfirmation and/or revision without notice



△			Quantity		Cal. No. :
△			Unit	1/1000 mm	
△			Scale	20:1	Parts:
△			Date		065-379
△			Drawn		Name:
△			Checked	T. Hiruta	SETTING STEM
△			Approved		Drawing No. : 3790S000
Material			General Tolerances	<b>MIYOTA</b>	
Heat Treatment			Dimensions		
Hardness			Angles		
Plating					

XXX T.IRW C.65-379 (01) EEX 00-06-23 2100.1121