

MIYOTA

Cal. 6S11/21 CHRONOGRAPH GRANDE



1. Basic Specification

Calibre	6S11	6S21
Ligne	15'''	
Overall diameter	Φ34.60mm	
Case fitting diameter	Φ32.80mm	
Total height	4.90mm	
Battery Life	Approx. 4 years**	Approx. 3 years**
Battery	SILVER OXIDE SR927W or equivalent	

** (60 minutes chronograph operation per day)

< Time Standard >

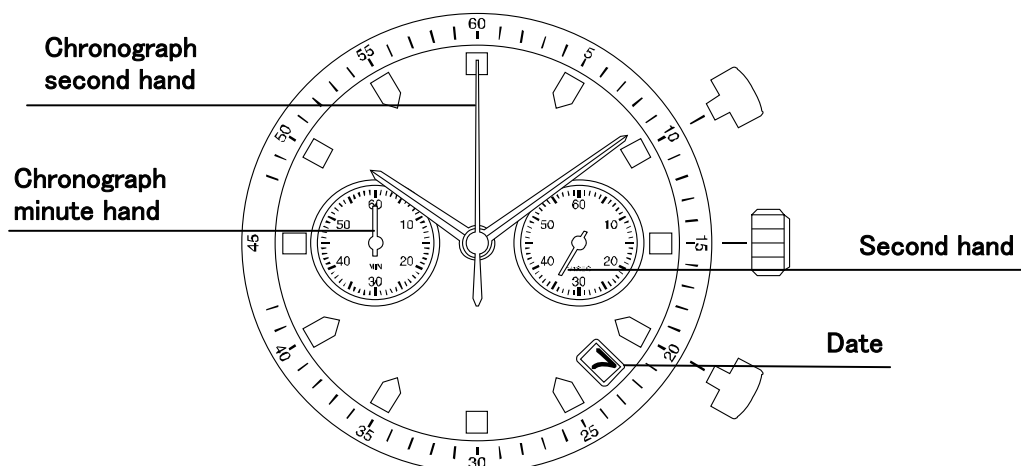
Type of quartz: Tuning fork type quartz crystal
Frequency : 32,768Hz
Accuracy : ±20 second / month worn under normal circumstances

< Balanceable weight of hand >

Minute hand Max. 1.0μNm
Center Chrono Second hand Max. 0.4μNm
Other small hands Max. 0.04μNm

< Function >

Chronograph Minute, Second (Up to 59min. 59 sec.)
4 Beats Center Chronograph Second Hand
Date calendar
Powercell Saving Reset Mechanism(PSRM)
Over-loading Compensation Device(OLCD)
Digital Frequency Control(DFC) for time adjustment



2. Separated Parts

Setting stem

065-A13

3. Others

* Measurement of time rate

The unit(gate) time of measurement must be set at "10 sec." or integer fold value of 10 sec. Owing to the DFC system, and the measurement must be performed in the form of complete watch.

* Marking on movement

JAPAN
MIYOTA CO.
(CAL. NO.)
NO JEWELS

* Typical clearance

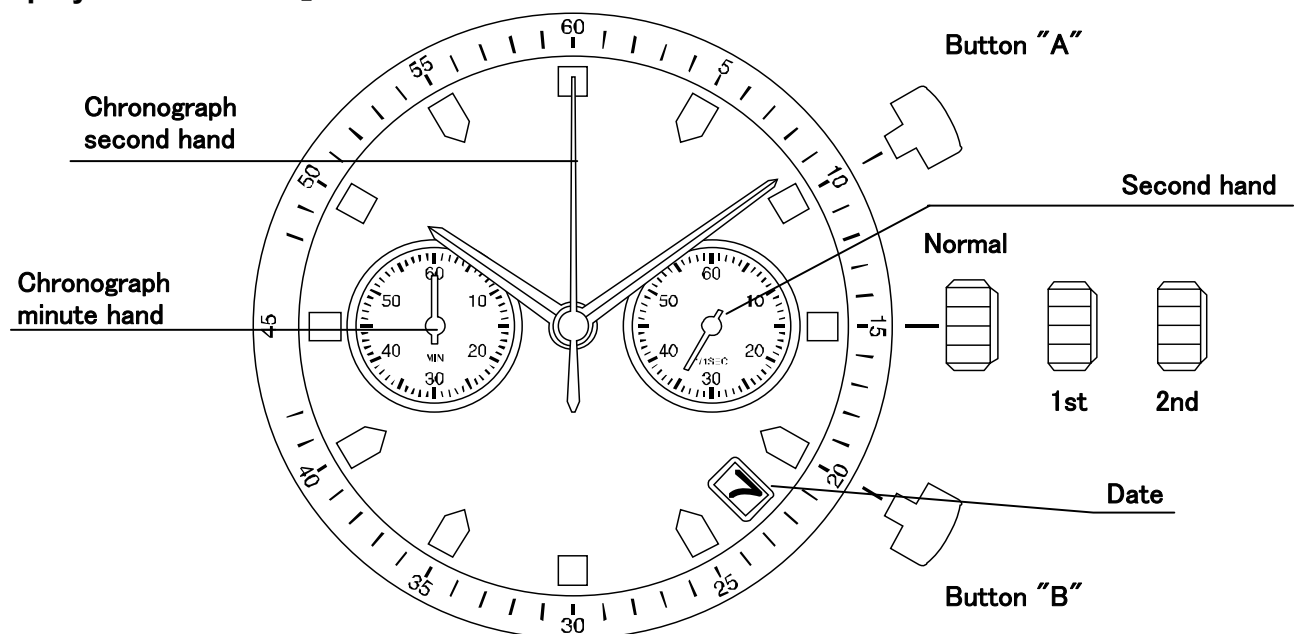
Mov't - Caseback minimum 150 μ Nm

Top of hands - Glass 300 - 400 μ Nm *

* subject to the glass, case structure, and the length of hand

4. Instruction Manual

【Displays and Buttons】



A) SETTING THE TIME

1. Pull the crown out to the 2nd Click Position.
2. Turn the crown clockwise to set hour and minute hands.
3. After the time has been set, push the crown back to the Normal position.

B) SETTING THE DATE

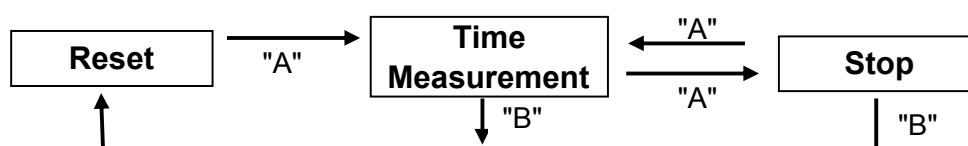
1. Pull the crown out to the 1st Click Position.
2. Turn the crown clockwise to set the date.
 - * If the date is set between the hours of around 9:00 PM and 1:00 AM, the date may not change on the following day.
3. After the date has been set, push the crown back to the Normal position.

C) USING THE CHRONOGRAPH

This chronograph is able to measure and display time in 1/4 second united up to maximum of 59min 59sec.

【Measuring time with the stopwatch】

1. Press button "A" to start the chronograph.
2. The chronograph can be started and stopped each time button "A" is pressed.
3. Press button "B" to reset the chronograph and chronograph minute and second hands return to their Zero positions.



D) CHRONOGRAPH RESET (INCL. AFTER REPLACING BATTERY)

This procedure should be performed when the chronograph second hand does not return to the Zero position.

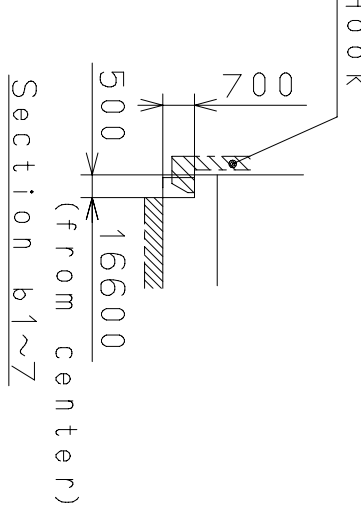
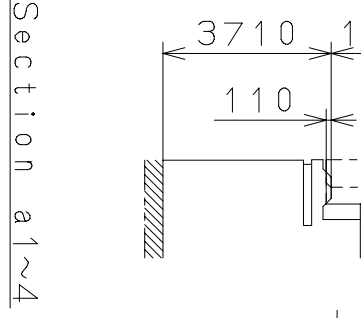
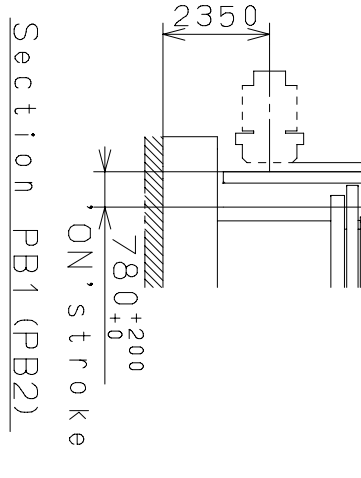
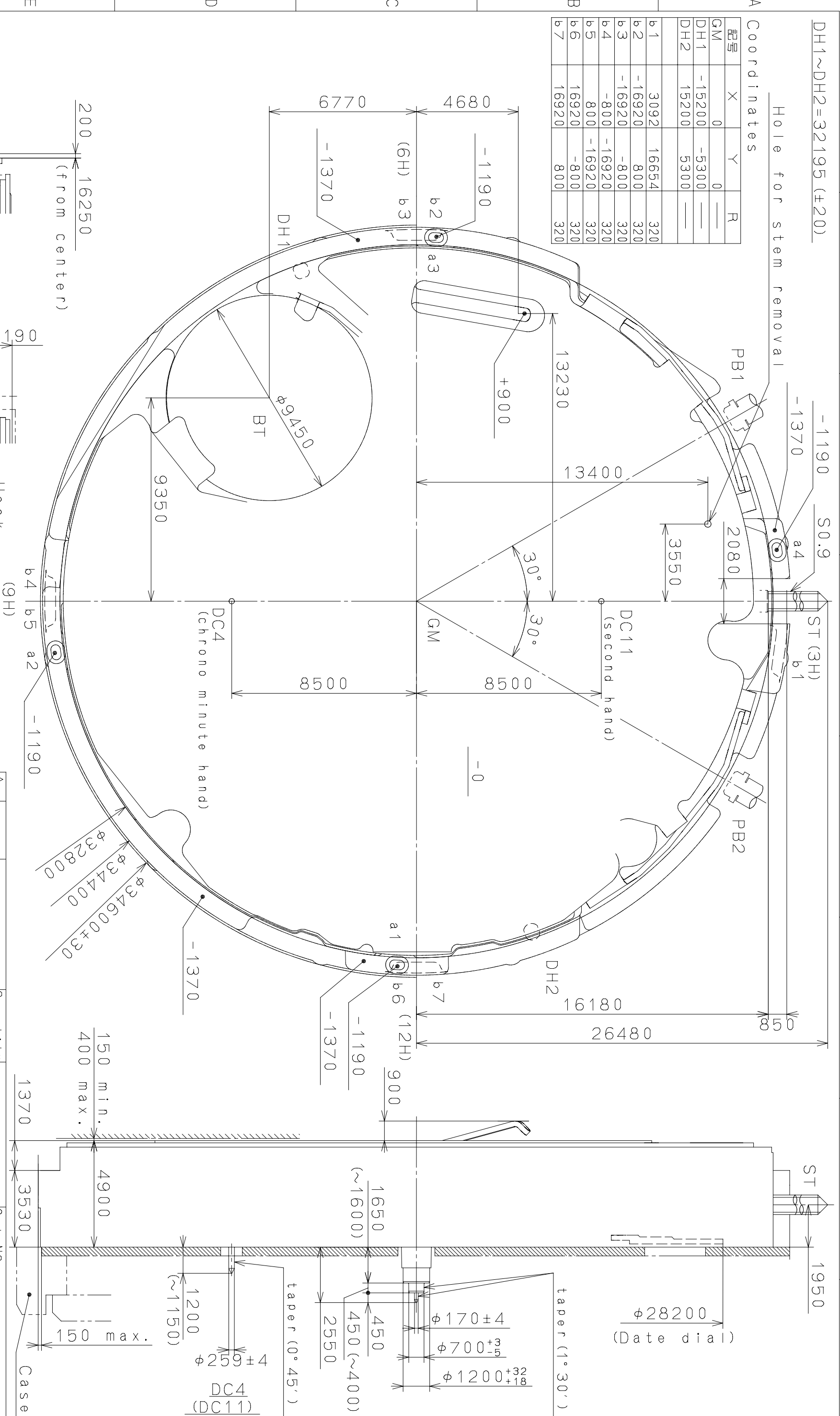
1. Pull the crown out to the 2nd Click Position.
2. Press the button "A" once to set the chronograph second hand to the Zero position.
 - * The chronograph hands can be advanced rapidly by continuously pressing button "A".
3. Once the hands been set at Zero position, reset the time and return the crown to its normal position.

These specifications might be changed without prior notice.

CITIZEN WATCH CO., LTD.

This drawing is provisional and subject to our reconfirmation and/or revision without notice.

Coordinates			
記号	X	Y	R
GM	0	0	—
DH1	-15200	-5300	—
DH2	15200	5300	—
b1	3092	16654	320
b2	-16920	800	320
b3	-16920	-800	320
b4	-800	-16920	320
b5	800	-16920	320
b6	16920	-800	320
b7	16920	800	320



Mark	Date	Description	Appr.	Checked	Drawn	Name:
Alterations			Approved			N. Suzuki
Frame for Case						
Drawing No.: 6S21C000						

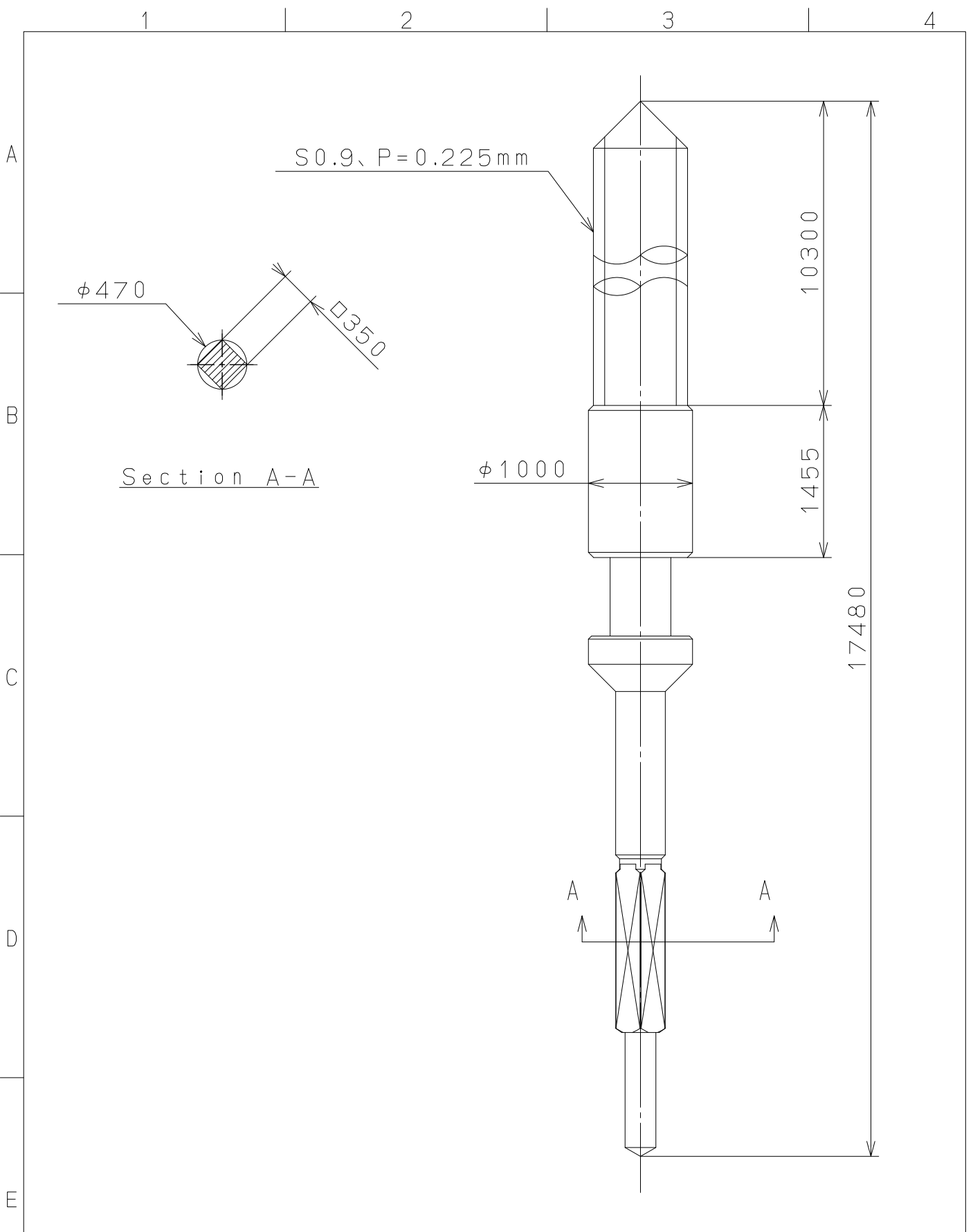
Material	Quantity	Unit	Cal. NO.:
Material		1/1000 mm	6S21
Heat Treatment		Scale	6 : 1
Hardness		Date	
Plating		Drawn	

Material	General Tolerances
Material	
Heat Treatment	
Hardness	
Plating	

MIYOTA
CITIZEN WATCH CO., LTD. TOKYO, JAPAN

2010/07/26 (09:03:08)

This drawing is provisional and subject to our reconfirmation and/or revision without notice.



△5			Quantity		Cal.NO.:
△4			Unit	1/1000mm	
△3			Scale	20:1	Parts No.:
△2			Date		065-A13
△1			Drawn		
Mark	Date	Description	Appr.	Checked	Name:
		Alterations	Approved	N. Suzuki	SETTING STEM
Material					Drawing No.: A130S000
Heat Treatment			General Tolerances	MIYOTA CITIZEN WATCH CO., LTD. TOKYO, JAPAN	
Hardness			Dimensions		
Plating			Angles		