

**Size**  
<ligne> 11 1/2'''

**Height**  
<mm> 5.67

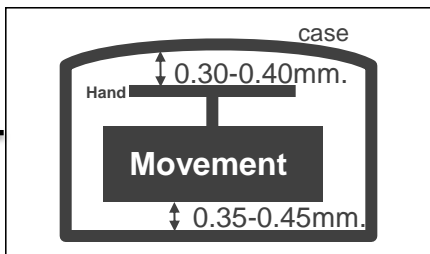
**Accuracy**  
<per Day> -20~+40 sec

**Posture Difference**  
(under) 50 sec

**Running time**  
42 hours

**Vibration Frequency**  
<per Hour> (vibration) 21600

**Clearance**  
Clearance changes subject to the glass, case structure, and the length of the hand.

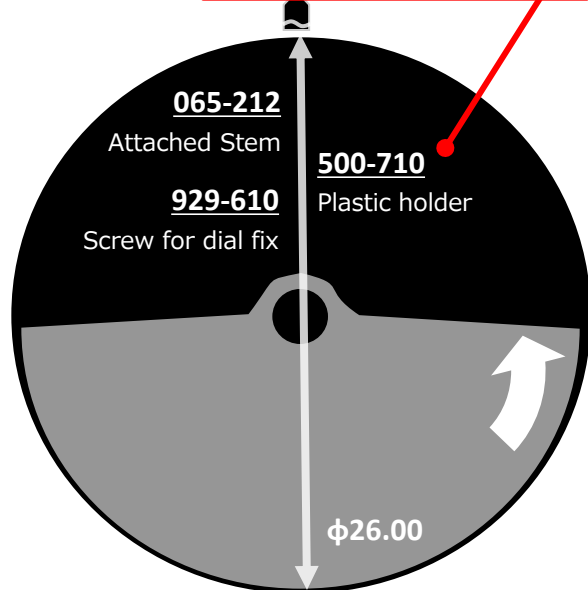


**Jewels**  
21 pcs

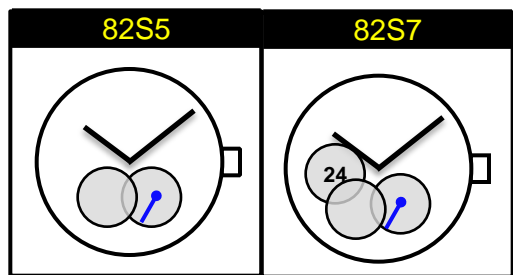
**Lift Angle**  
49 degree

**Original Package**  
300 pcs

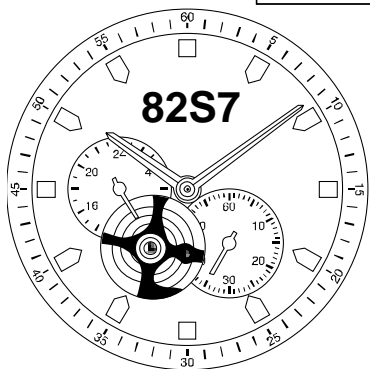
Exchangeable with the following option parts  
 - Metal ring(502-008)  
 - Casing clamps (082-060)  
 - Screws (924-460)



Gilt Version Available



Fine finishing with  
 - barrel bridge  
 - screws



Setting the Time

**Time measurement & Winding**


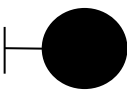


**Mechanical**

**Accuracy**

Measure within lapse of 10 ~ 60 minutes from full winding with ① posture.

**Posture difference**

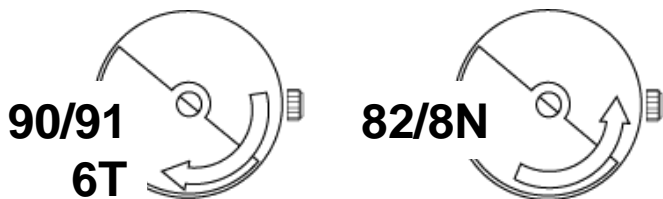
Measure accuracy in below ① ~ ④ postures.

① Dial side up	①	②	③	④
② 6 o'clock side up				
③ 9 o'clock side up				
④ 3 o'clock side up				

■ **To make full-winded**

90 / 91	Turn the crown 40 times
82 / 8N	Turn the crown 40 times
6T	Turn the crown 20 times

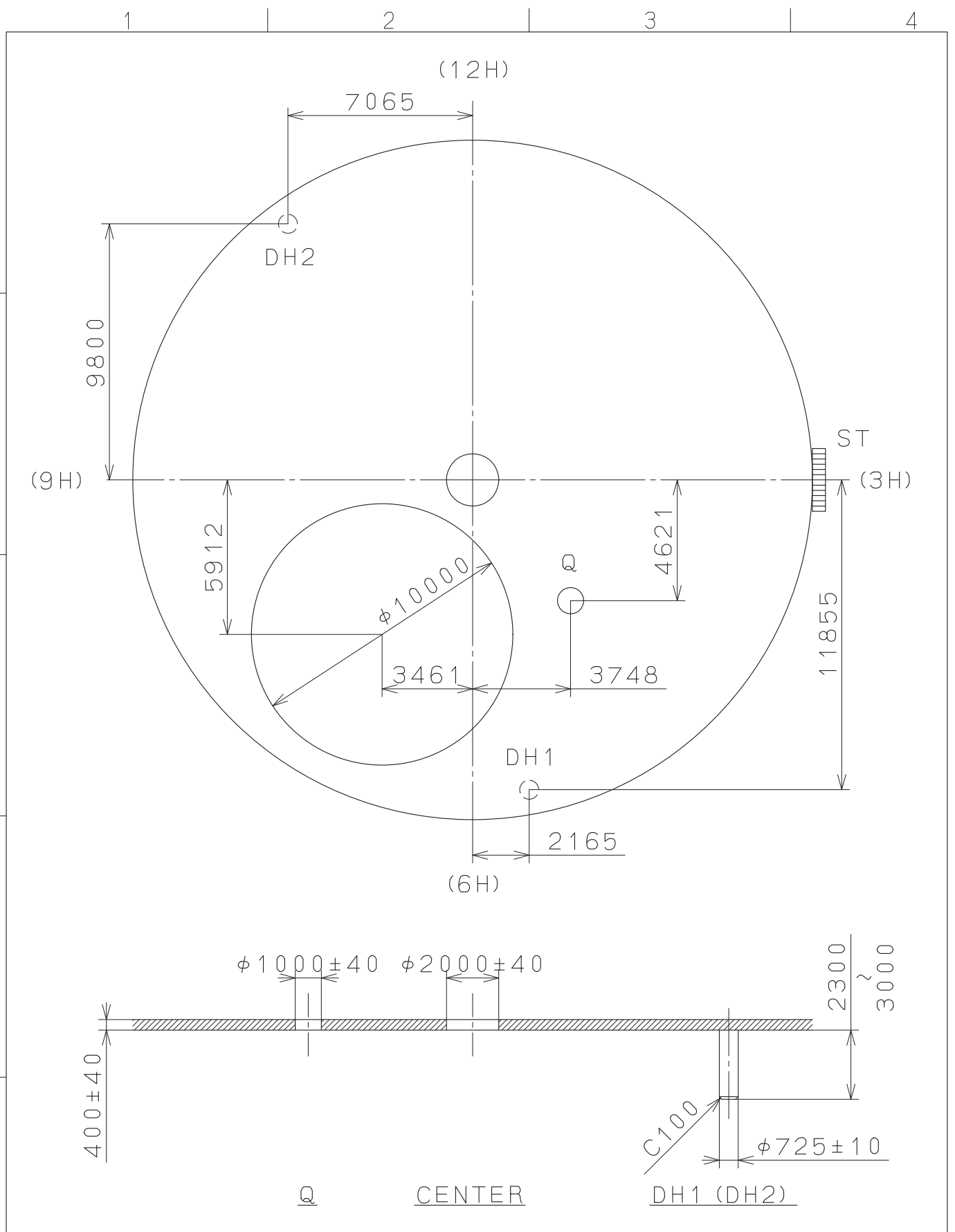
■ **Winding direction**





2008/05/13 (14:07:18)

This drawing is provisional and subject to our reconfirmation and/or revision without notice.

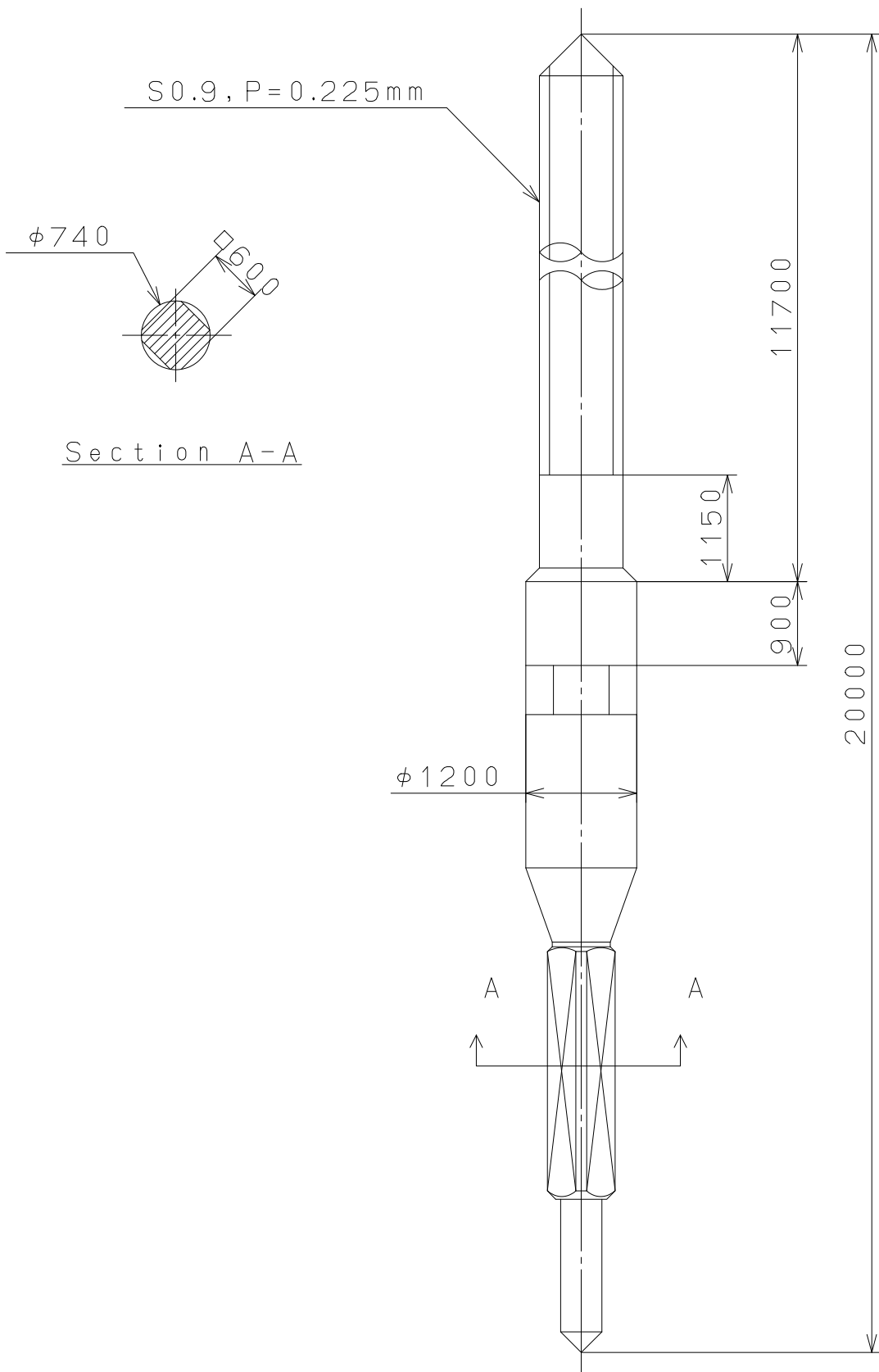


△			Quantity		Cal.NO.:
△			Unit	1 / 1000 mm	82S5-21A
△			Scale	5 : 1	Parts No.:
△			Date		
△			Drawn		
Mark	Date	Description	Appr.	Checked	Name:
		Alterations	Approved	N. Suzuki	Indications for Dial
Material					Drawing No.: 82S5D000
Heat Treatment			General Tolerances		<b>MIYOTA</b>
Hardness			Dimensions		
Plating			Angles		
					CITIZEN WATCH CO., LTD. TOKYO, JAPAN

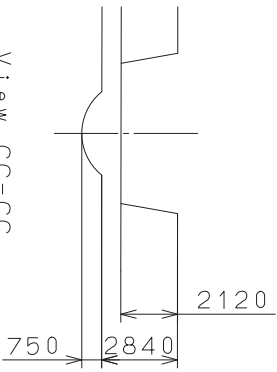
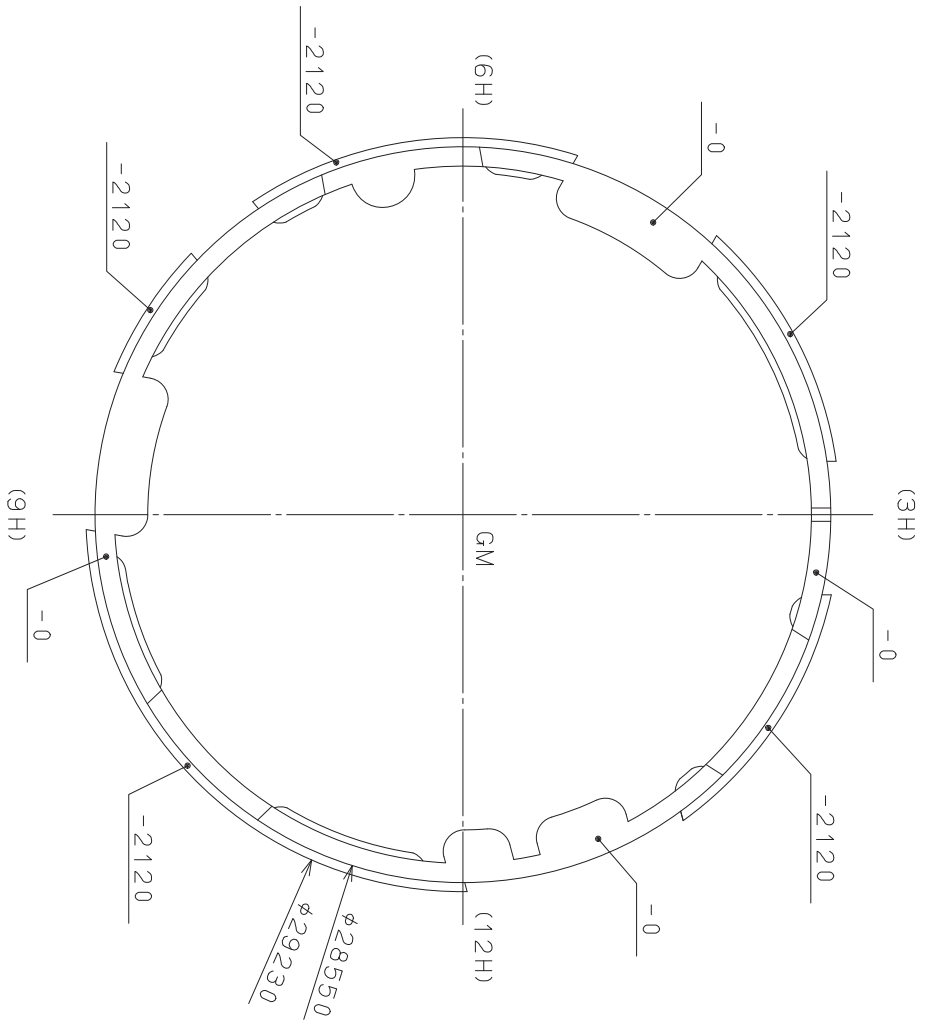
2008/11/14 (11:30:42)

This drawing is provisional and subject to our reconfirmation and/or revision without notice.

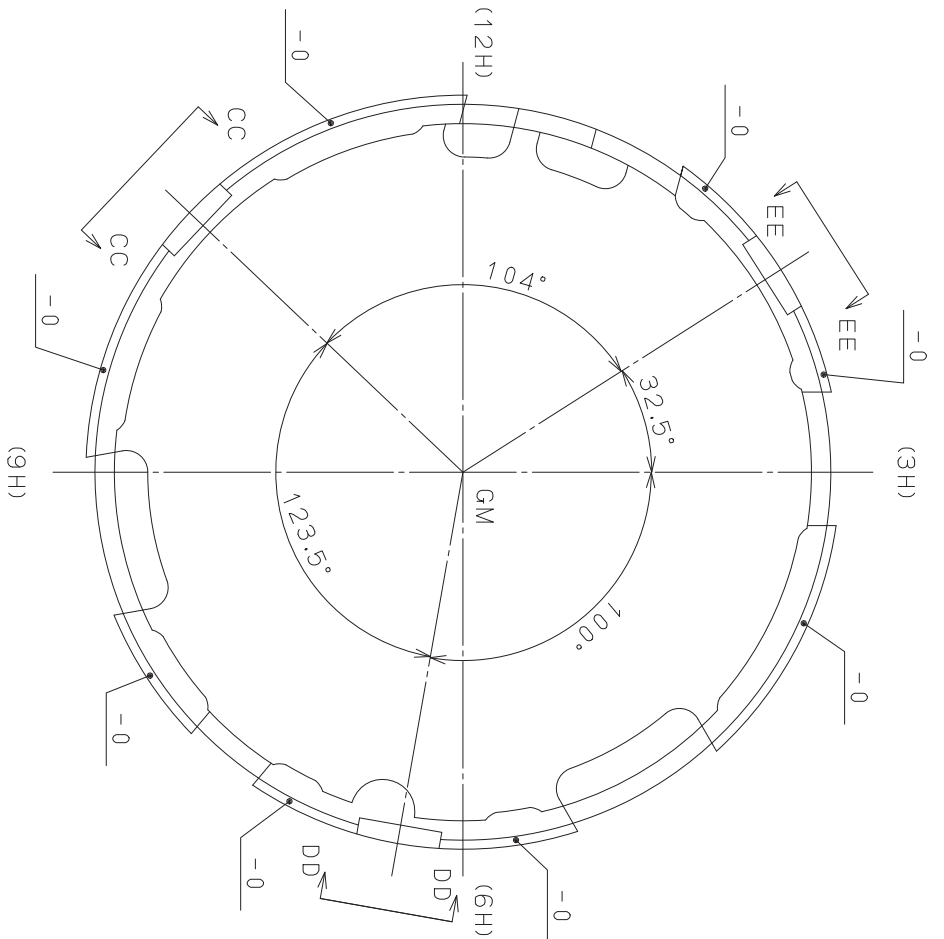
A  
B  
C  
D  
E  
F



⑤			Quantity		Cal.NO.:
④			Unit	1/1000 <sub>mm</sub>	
③			Scale	15:1	Parts No.:
②			Date		065-212
①			Drawn		Name:
Mark	Date	Description	Appr.	Checked	N. Suzuki
Alterations			Approved	SETTING STEM	
Material					Drawing No.: 2120S001
Heat Treatment	General Tolerances				<b>MIYOTA</b>
Hardness	Dimensions				
Plating	Angles				
					CITIZEN WATCH CO., LTD. TOKYO, JAPAN



View CC-CC  
DD-DD, EE-EE



△	Quantity	1/1000 mm	Call. No.:
△	Unit	5 : 1	Parts No.:
△	Scale	500-710	
△	Date		
△	Date		
△	Drawn		
Mark	Date	Appr.	Checked
Alterations	N. Suzuki		
Material	Casing Holder		
Heat Treatment	Drawing No.: 8200E002		
Hardness	General Tolerances		
Plating	Dimensions		
	Angles		
	CITIZEN WATCH CO., LTD. TOKYO, JAPAN		

**MIYOTA**