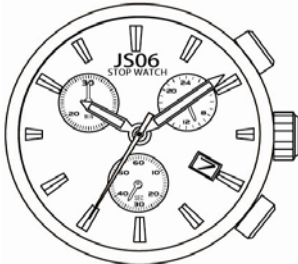




## Cal. JS06 / 16 / 26 HIGH HAND STOPWATCH

### 1. Basic Specification

CAL.	JS06 HIGH HAND	JS16 HIGH HAND	JS26 HIGH HAND
Ligne	12 1/2'''		
Overall diameter	Φ 28.2 × 26.0 (3H-9H)		
Case fitting diameter	Φ 27.6 × 26.0 (3H-9H)		
Total height	4.30mm		
			
	eye position is same as JS05	eye position is same as JS15	eye position is same as JS25
Date	○		
Bateery & Life	Approx.2years * 30minutes chronograph operation per day		
Battery	SILVER OXIDE SR621SW or equivalent		

#### < Time Standard >

Type of quartz: Tuning fork type quartz crystal

Frequency : 32,768Hz

Accuracy : ±20 second / month worn under normal circumstances

#### < Balanceable weight of hand >

Minute hand Max. 0.4μN.m

Second hand Max. 0.09μN.m

Other small hands Max. 0.02μN.m

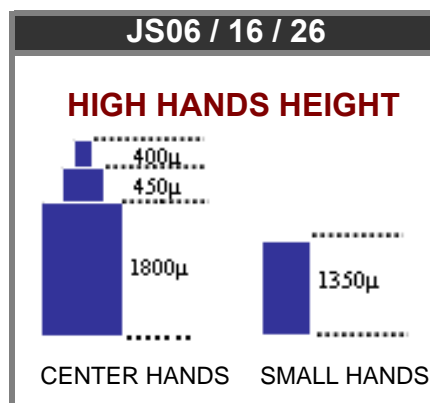
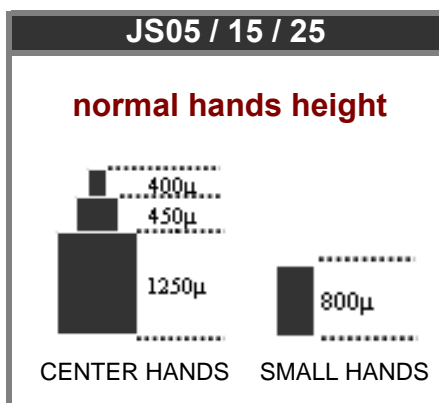
#### < Function >

Stopwatch 1 sec. basis (Up to 29 min. 59 sec.)

Powercell Saving Reset Mechanism(PSRM)

Over-loading Compensation Device(OLCD)

Digital Frequency Control(DFC) for time adjustment



## 2. Separated Parts

Setting stem	065- 505 × 1
Length from movement center to far end of setting stem	20.03mm
Thread	Φ 0.9mm × 11.68mm

## 3. Others

### \* Measurement of time rate

The unit(gate) time of measurement must be set at "10 sec." or integer fold value of 10 sec. Owing to the DFC system, and the measurement must be performed in the form of complete watch.

### \* Marking on movement

JAPAN  
MIYOTA CO.  
( CAL. NO.)  
NO JEWELS

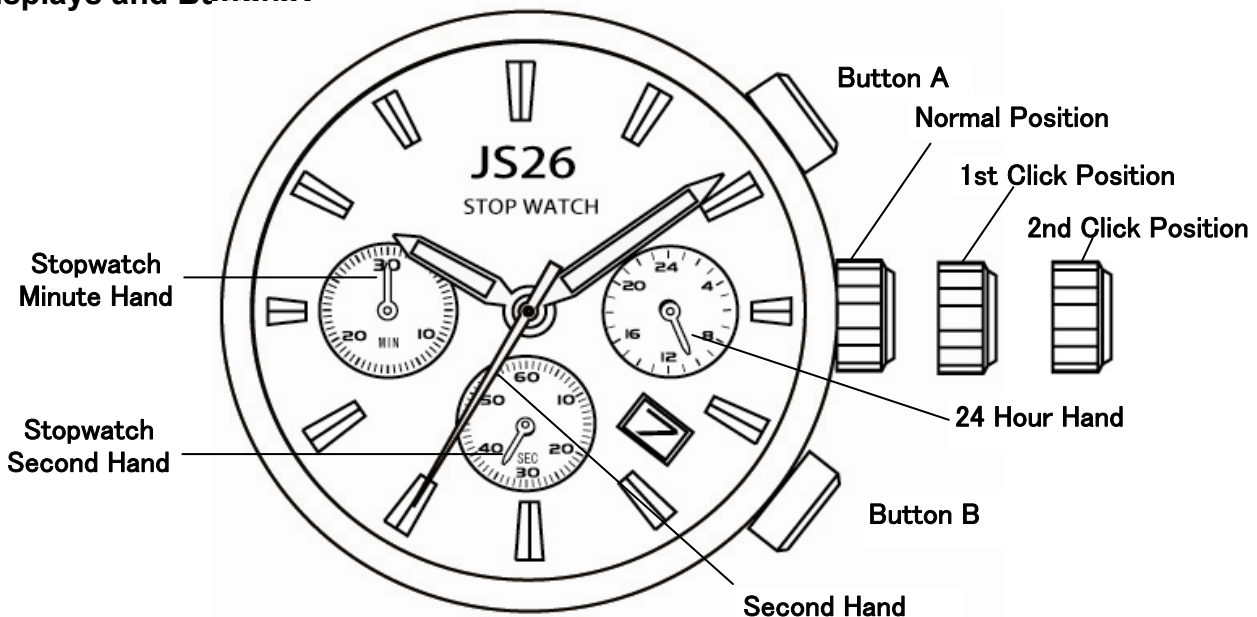
### \* Typical clearance

Mov't - Caseback            minimum 150 microns  
Top of hands - Glass        300 - 400 microns \*

\* subject to the glass, case structure, and the length of hand

## 4. Instruction Manual

### 【Displays and Buttons】



### A) SETTING THE TIME

1. Pull the crown out to the 2nd Click Position.
2. Turn the crown to set hour and minute hands.
3. After the time has been set, push the crown back to the Normal position.

## B) SETTING THE DATE

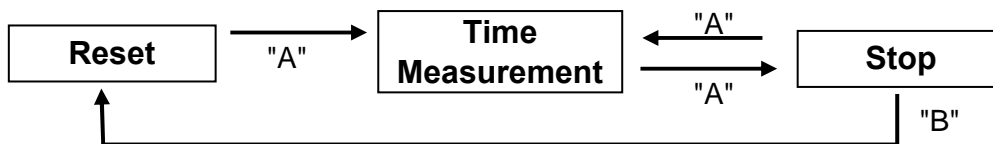
1. Pull the crown out to the 1st Click Position.
2. Turn the crown clockwise to set the date.
  - \* If the date is set between the hours of around 9:00 PM and 1:00 AM, the date may not change on the following day.
3. After the date has been set, push the crown back to the Normal position.

## C) USING THE STOPWATCH

This stopwatch is able to measure and display time in 1/1 second united up to maximum of 30 minutes  
Stopwatch will stop automatically after running continuously for 30 minutes.

### 【Measuring time with the stopwatch】

1. Press button "A" to start the stopwatch.
2. The stop watch can be started and stopped each time button "A" is pressed.
3. Pressing button "B" resets the stopwatch and stopwatch minute and second hands return to their Zero positions.



## D) STOPWATCH RESET (INCL. AFTER REPLACING BATTERY)

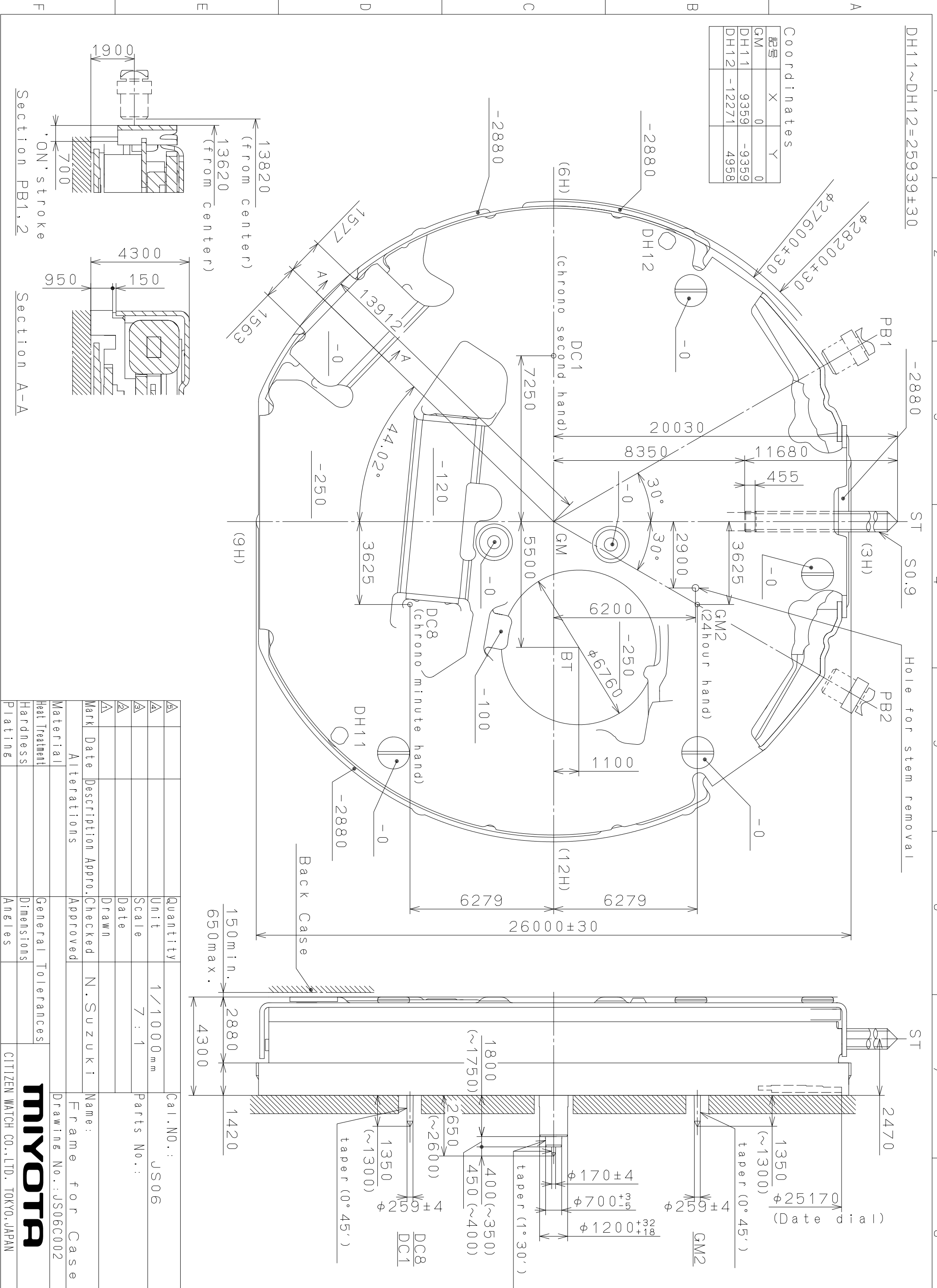
This procedure should be performed when the stopwatch second hand does not return to the Zero position.

1. Pull the crown out to the 2nd Click Position.
2. Press the button "A" once to set the stop watch second hand to the Zero position.
  - \* The stopwatch minutes hand is synchronized with stop watch second hand.
  - \* The stopwatch second hand can be advanced rapidly by continuously pressing button "A".
3. Once the hands been zeroed, reset the time and return the crown to its normal position.

*These specifications might be changed without prior notice.*

**CITIZEN WATCH CO., LTD.**

This drawing is provisional and subject to our reconfirmation and/or revision without notice.



Coordinates		
記号	X	Y
GM	0	0
DH11	9359	-9359
DH12	-12271	4958

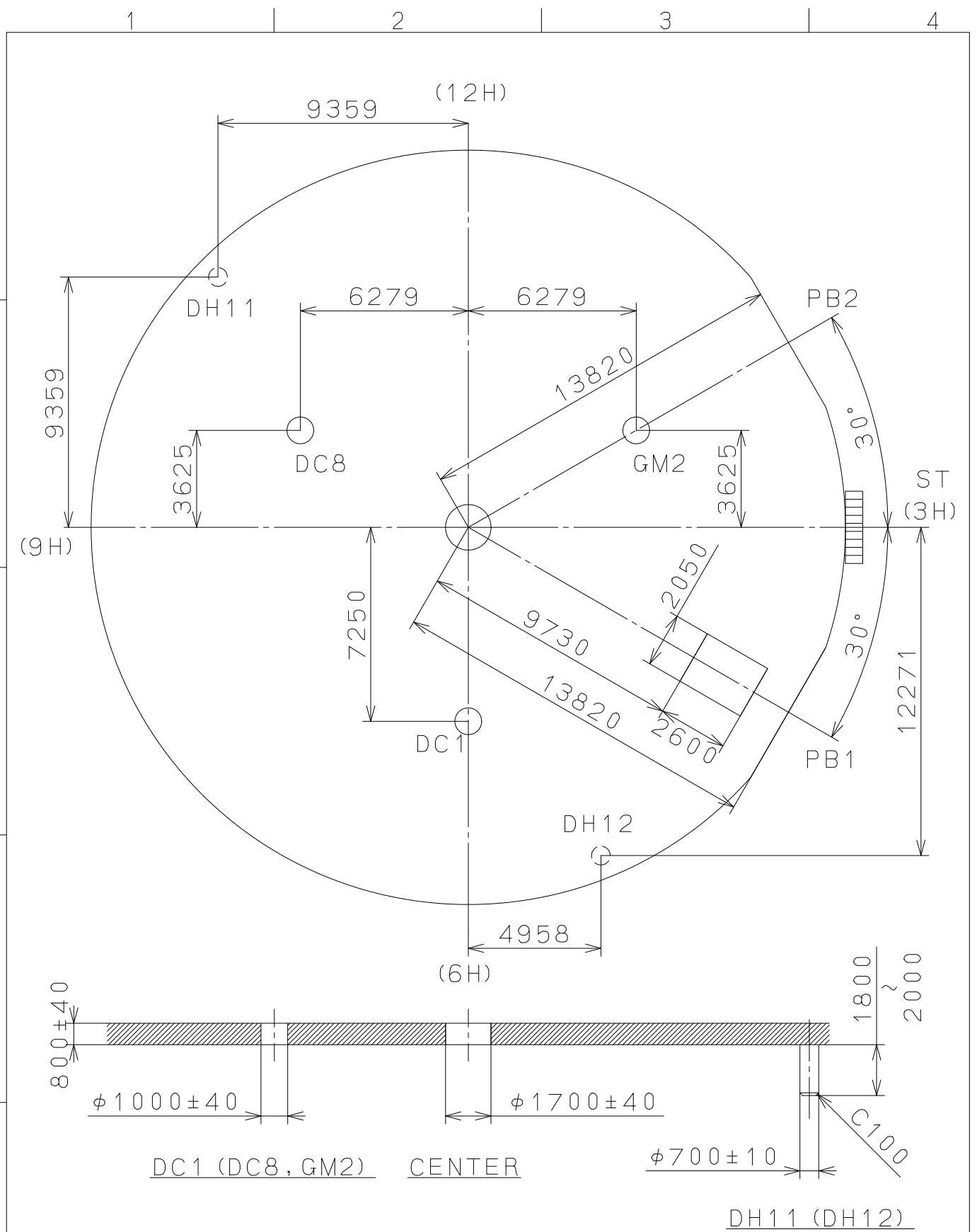
Section PB1,2

Section A-A

Material	Alterations	Quantity	Unit	Cal. NO.:
Heat Treatment	Date	1	1/1000 mm	JS06
Hardness	Description	Scale	7 : 1	Parts No.:
Plating	Appro.	Checked	Drawn	Name:
	Approved		N. Suzuki	Frame for Case
				Drawing No.: JS06C002
				<b>MIYOTA</b>
				CITIZEN WATCH CO., LTD. TOKYO, JAPAN

2010/02/01 (10:15:20)

This drawing is provisional and subject to our reconfirmation and/or revision without notice.

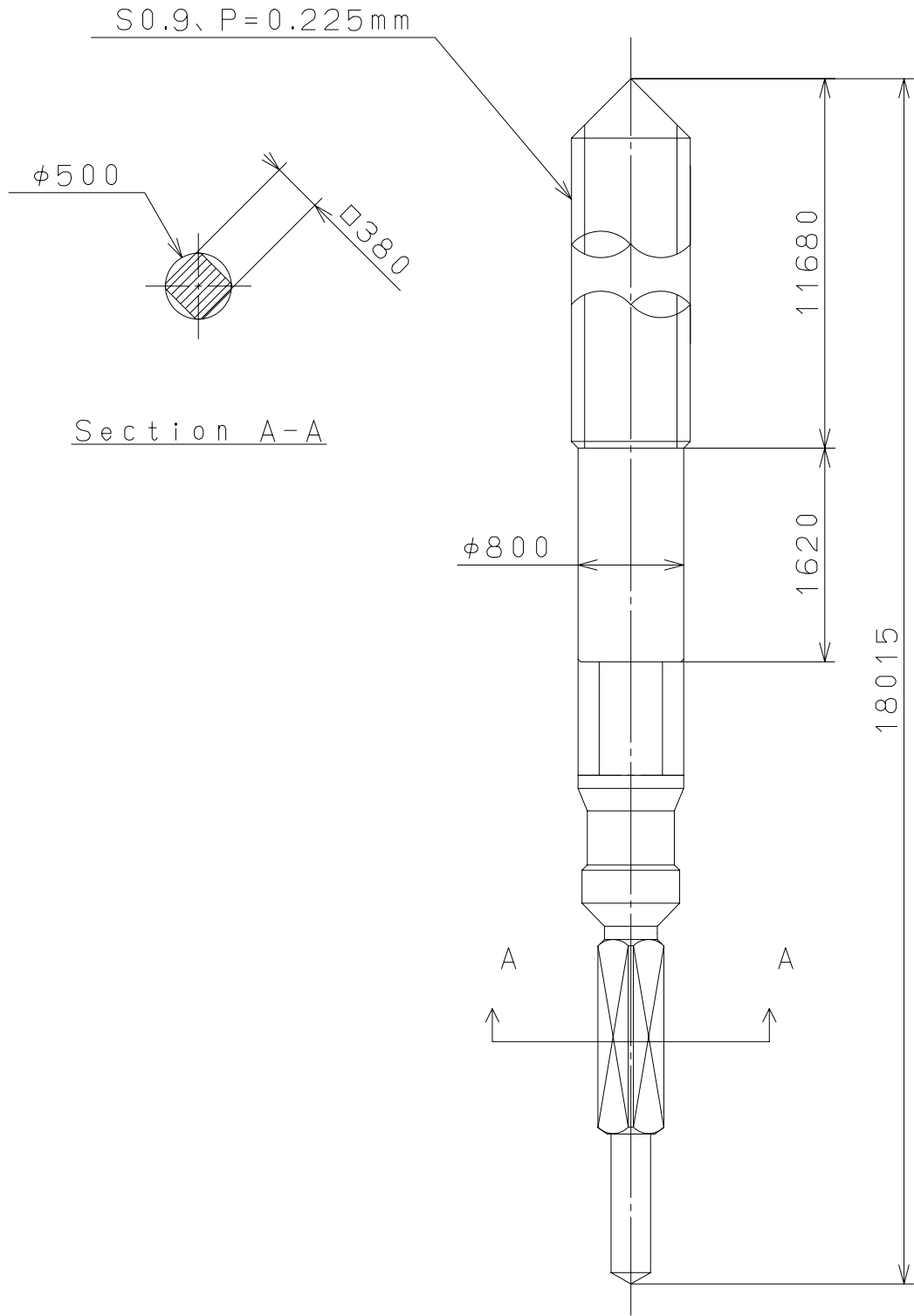


△			Quantity		Cal.NO.:
△			Unit	1/1000 <sub>mm</sub>	JS06-00C
△			Scale	5:1	Parts No.:
△			Date		
△			Drawn		
Mark	Date	Description	Appr.	Checked	Name:
		Alterations	Approved	N. Suzuki	Indications for Dial
Material					Drawing No.: JS06D000
Heat Treatment			General Tolerances		<b>MIYOTA</b>
Hardness			Dimensions		
Plating			Angles		
					CITIZEN WATCH CO., LTD. TOKYO, JAPAN

2006/12/25 (07:50:10)

This drawing is provisional and subject to our reconfirmation and/or revision without notice.

A  
B  
C  
D  
E  
F



⑤			Quantity		Cal.NO.:
④			Unit	1 / 1000 mm	
③			Scale	20 / 1	Parts No.:
②			Date		065-505
①			Drawn		Name:
Mark	Date	Description	Appr.	Checked	T.Hiruta
Alterations			Approved	SETTING STEM	
Material				Drawing No.: 5050S000	
Heat Treatment				General Tolerances	
Hardness				Dimensions	
Plating				Angles	
				<b>MIYOTA</b>	
				CITIZEN WATCH CO., LTD. TOKYO, JAPAN	