

MIYOTA

MOVEMENT SPECIFICATIONS

CAL. : JR00/JR10/JR20

12-1/2 LIGNE, 3 EYES WITH RETROGRADE DAY FUNCTION

ANALOGUE QUARTZ, NO JEWEL

BY CITIZEN WATCH CO., LTD. JAPAN

MANUFACTURED IN JAPAN

1. BASIC SPECIFICATIONS

(1) Cal. No.

*TO CONFIRM WITH MOV'T DRAWING ATTACHED

CALIBRE	JR00	JR10	JR20
Ligne	12-1/2		
Size*mm	Φ28.20mm		
Date	12H	12H	3H
24Hour	9H	9H	9H
Retrograde day	4.5H	6H	6H
Total height	4.18mm		
Battery life	Approx. 3 years		
Battery	SILVER OXIDE SR621SW or equivalent		



(2) Time standard

Type of quartz : Tuning fork type quartz crystal

Frequency : 32,768Hz

Accuracy : **+/-20 s/month** worn under normal circumstances

(3) Balanceable weight of hand

Minute hand : Max. 0.4 μN.m

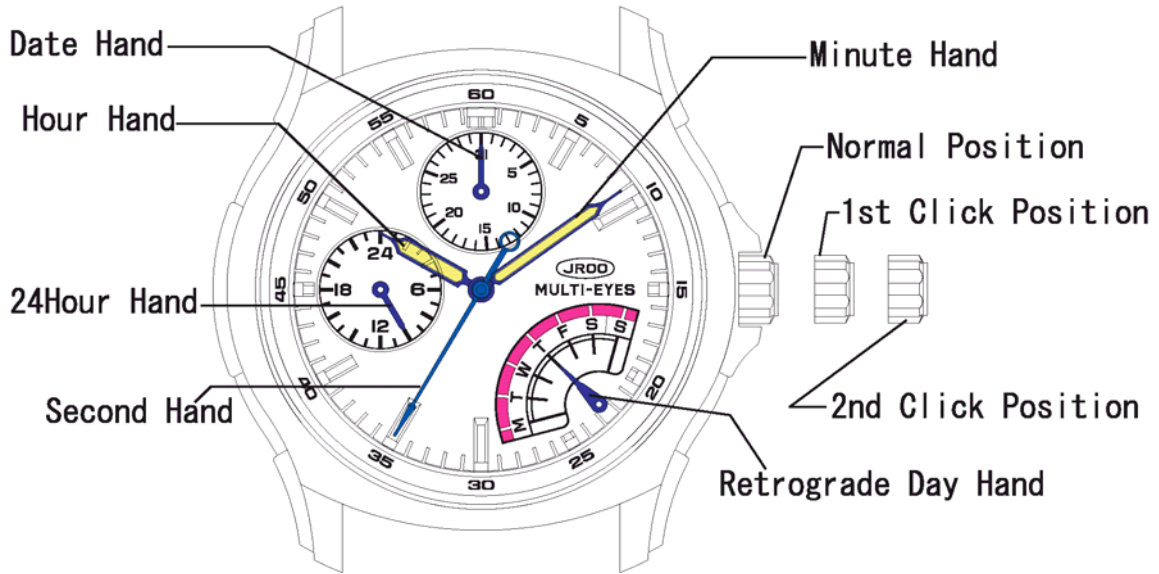
Second hand : Max. 0.07 μN.m

Date and 24hour hand : Max. 0.02 μN.m

Retrograde day hand : Max. 0.14 μN.m

(4) Function

- 24hour, date and retrograde day indicator by small hands.
- Powercell Saving Reset Mechanism (PSRM)
- Over-loading Compensation Device (OLCD)
- Digital Frequency Control (DFC) for time adjustment



1st Click Position : QUICK DATE ADJUSTMENT / QUICK DAY ADJUSTMENT
 2nd Click Position : TIME ADJUSTMENT

2.SEPARATED PARTS

Setting stem x1

Code	065-505
Length from movement center to far end of setting stem	20.03mm
Thread.....	Φ0.9mm x 11.68mm

3.OTHERS

*** Measurement of time rate**

The unit (gate) time of measurement must be set at "10 sec." or integer fold value of 10 sec. owing to the DFC system, and the measurement must be performed in the form of complete watch.

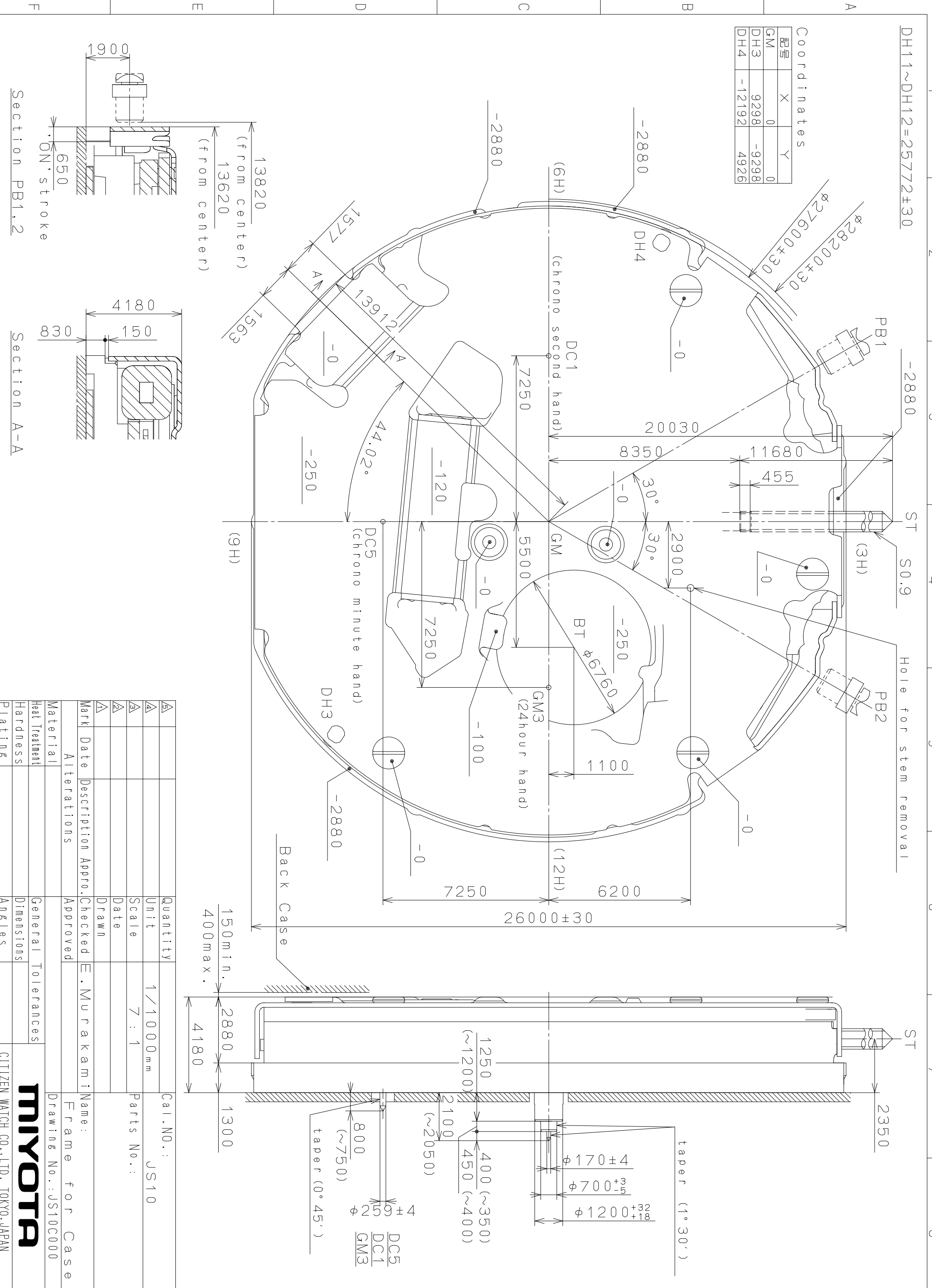
*** Marking on movement**

**JAPAN
 MIYOTA CO.
 JR00/JR10/JR20
 NO JEWELS**

*** Typical clearance**

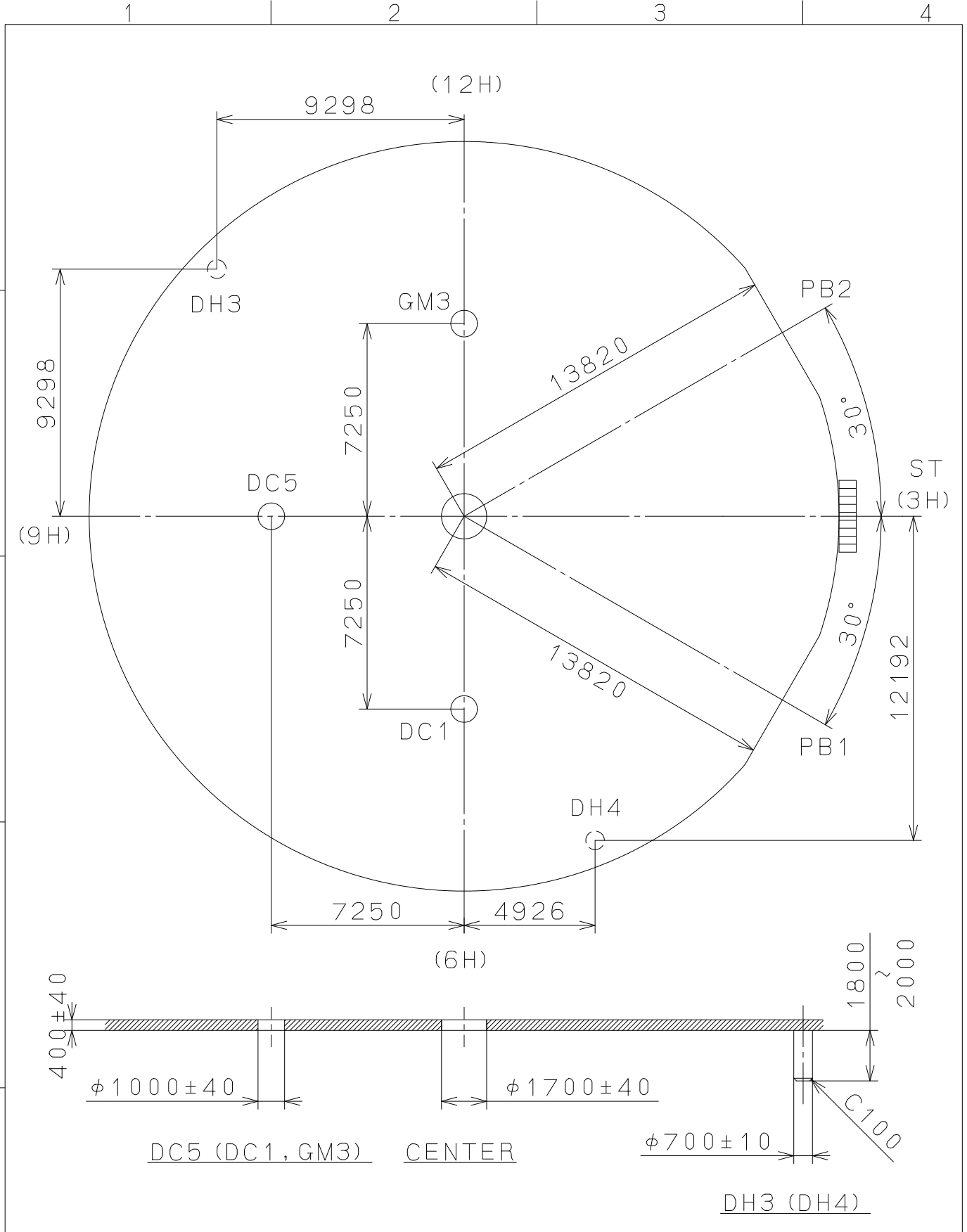
Mov't - Caseback	minimum 150 microns
Top of hands - Glass	300 - 400 microns *
* subject to the glass, case structure, and the length of hand	

This drawing is provisional and subject to our reconfirmation and/or revision without notice.



Mark	Date	Description	Appro.	Checked	Drawn	Quantity	Unit	Cal. NO.:
△						1	1/1000 mm	JS10
△							Scale	7:1
△							Date	
△							Drawn	
△							Checked	E. Murakami
△							Approved	
Material		Alterations		Parts No.:		Frame for Case		
Heat Treatment						Drawing No.: JS10C000		
Hardness						Name: MİYOTA		
Plating						CITIZEN WATCH CO., LTD. TOKYO, JAPAN		

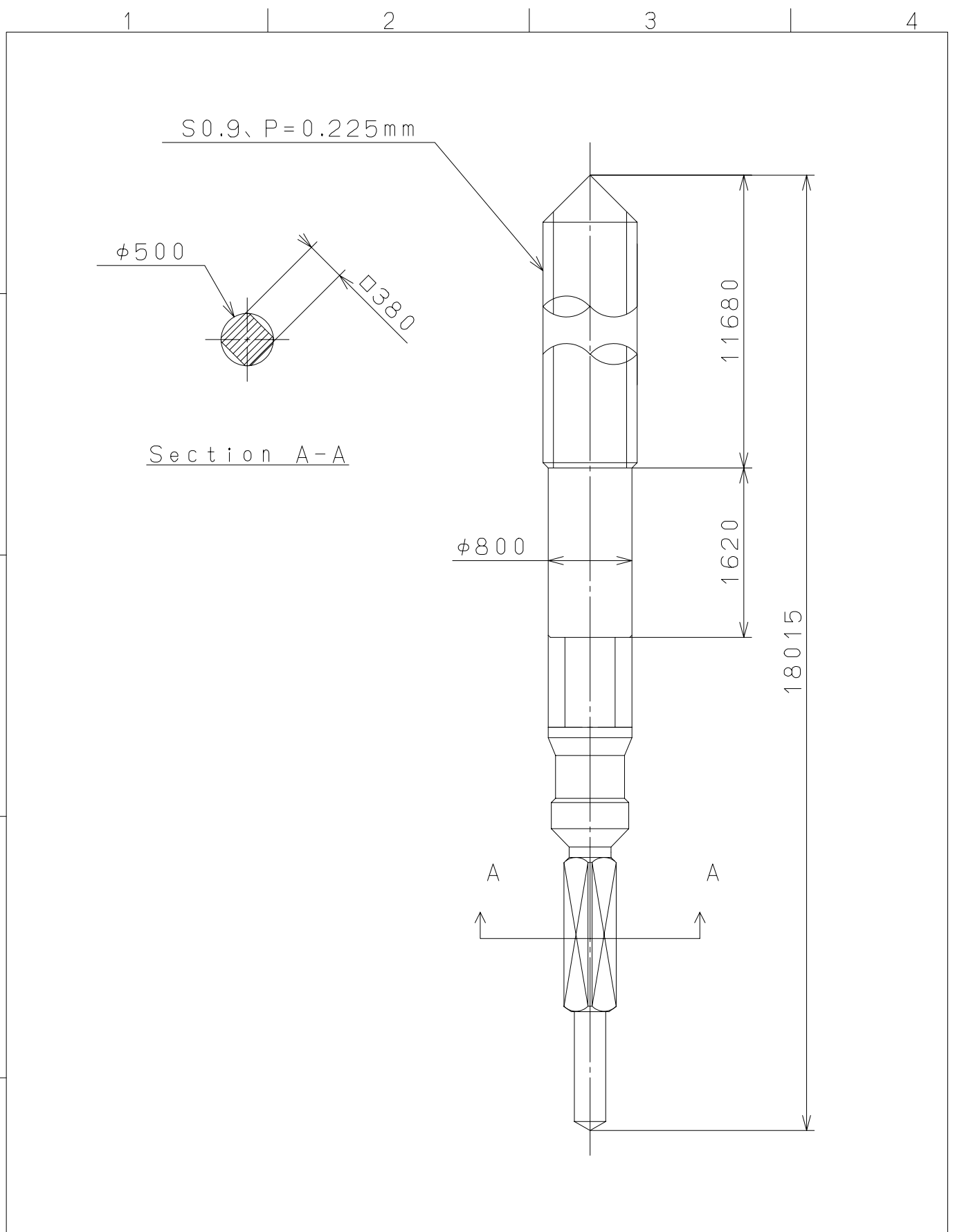
This drawing is provisional and subject to our reconfirmation and/or revision without notice.



△			Quantity		Cal.NO.:
△			Unit	1/1000 _{mm}	JS10-00C
△			Scale	5 : 1	Parts No.:
△			Date		
△			Drawn		
Mark	Date	Description	Appr.	Checked	Name:
		Alterations	Approved	E. Murakami	Indications for Dial
Material					Drawing No.: JS10D000
Heat Treatment			General Tolerances	MIYOTA CITIZEN WATCH CO., LTD. TOKYO, JAPAN	
Hardness			Dimensions		
Plating			Angles		

2006/12/25 (07:50:10)

This drawing is provisional and subject to our reconfirmation and/or revision without notice.



⑤			Quantity		Cal.NO.:
④			Unit	1 / 1000 mm	
③			Scale	20 / 1	Parts No.:
②			Date		065-505
①			Drawn		
Mark	Date	Description	Appr.	Checked	Name:
		Alterations		Approved	T.Hiruta
Material					SETTING STEM
Heat Treatment					Drawing No.: 5050S000
Hardness				General Tolerances	MIYOTA
Plating				Dimensions	
				Angles	CITIZEN WATCH CO., LTD. TOKYO, JAPAN