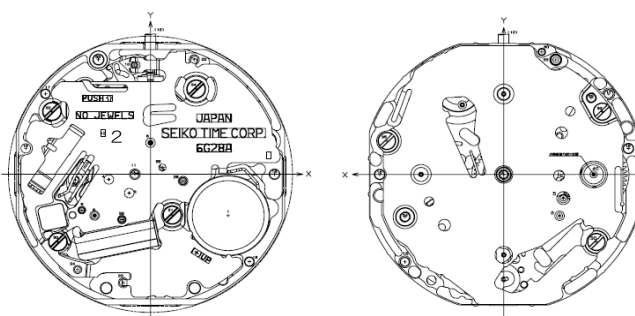
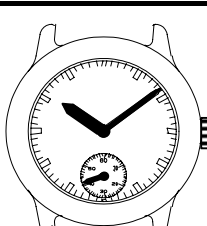

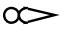



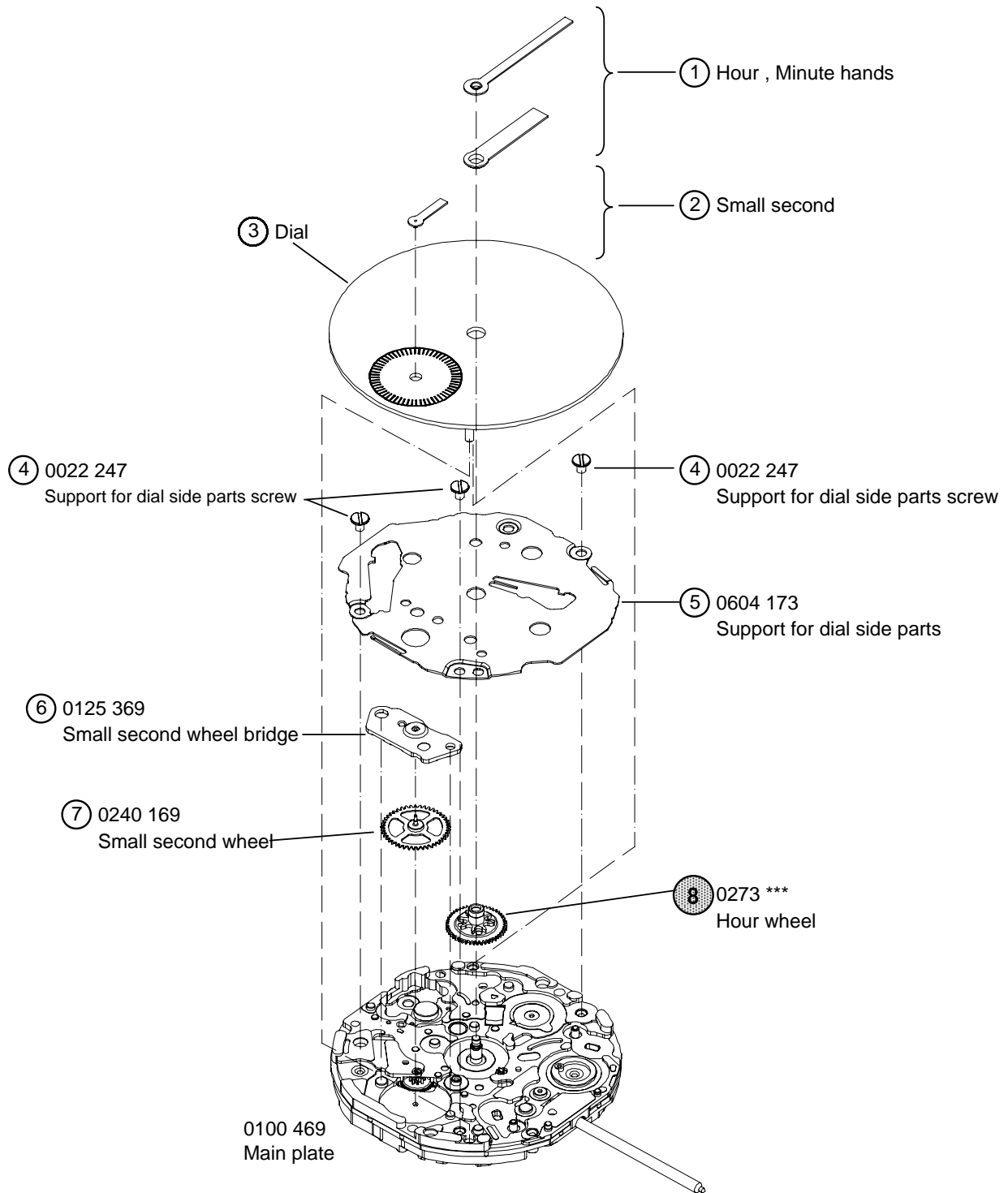
# PARTS CATALOGUE / TECHNICAL GUIDE

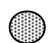
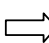
## Cal.6G28A

Item		Cal. No.	6G28A
Movement			
Movement size (mm)	Outside diameter		φ 23. 7mm
	Casing diameter		φ 23. 3mm
	Height		3. 45mm
Time indication			<p>Main time: Hour, minute and small second hand (6H position)</p> 
Driving system			Step motor
Additional mechanism			<ul style="list-style-type: none"> <li>● Second setting device</li> <li>● Electronic circuit reset switch</li> </ul>
Loss/gain			Less than ±20seconds: Monthly rate at normal temperature range
Regulation system			Nil
Measuring gate by quartz tester			10-second gate
Battery			<p>SR626SW (Silver oxide battery)</p> <p>Battery life is approximately 3 years</p> <p>Voltage: 1.55V</p>
Jewels			0 jewel

SEIKO WATCH CORPORATION

Disassembling procedures Figs.	① ⇒ ⑧	Lubricating : Types of oil	Oil quantity
Reassembling procedures Figs.	⑧ ⇒ ①	 Moebius A	 Normal quantity
		 Moebius F	






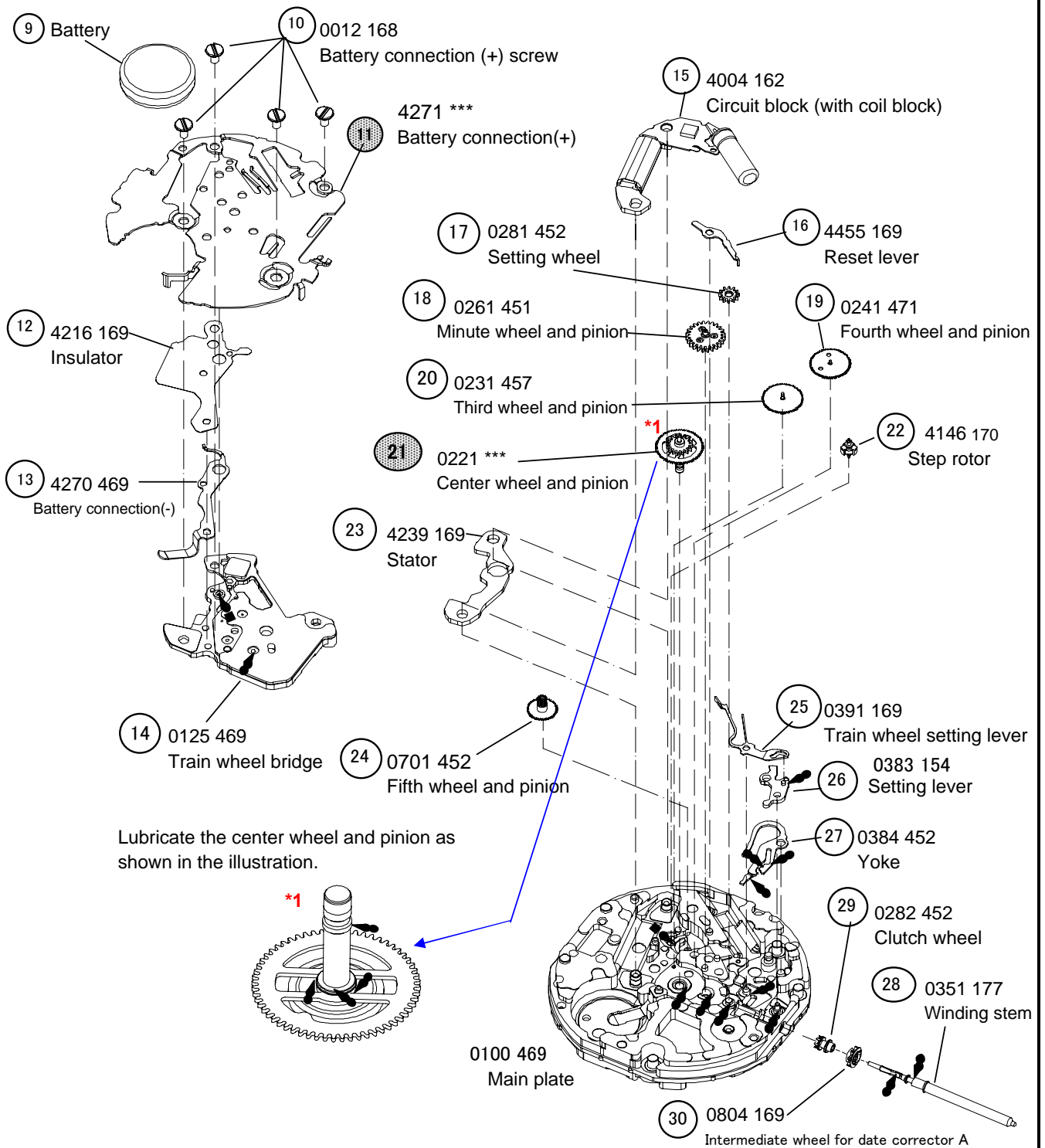
  Please see the remarks on page 4 to find complete part number.


# PARTS CATALOGUE

Cal. 6G28A

Disassembling procedures Figs. 9 ⇒ 30  
 Reassembling procedures Figs. 30 ⇒ 9

Lubricating : Types of oil Oil quantity  
 Moebius A  Normal quantity  
 Moebius F



 ⇒ Please see the remarks on the page 4 to find complete part number.

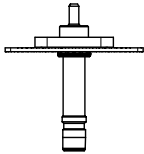
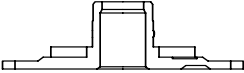
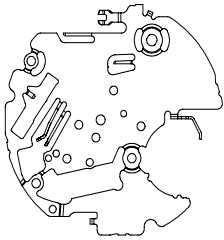
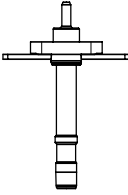
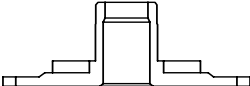
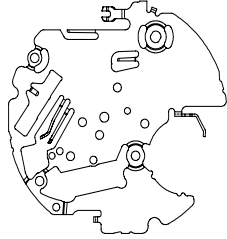
# PARTS CATALOGUE

Cal. 6G28A

## REMARKS

- Discrimination of the hand installation height

Cal.6G28A watch has numerals printed on the dial and the movement to indicate the hand installation heights. When repairing, refer to the table below.

Number for Discrimination	②① Center wheel and pinion	⑧ Hour wheel	①① Battery connection(+)
2	 0221 069	 0273 169	 4271 465
3	 0221 070	 0273 170	 4271 466

# TECHNICAL GUIDE

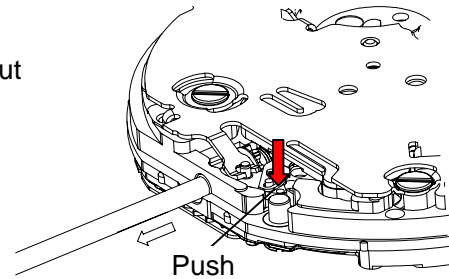
Cal. 6G28A

## I. Remarks on disassembling and assembling

### (1) Winding stem

•How to remove

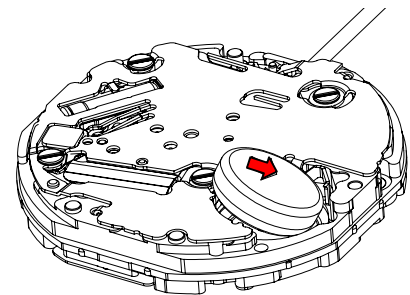
While pushing the indented portion of the arrow pull out the winding stem.



### (2) Battery

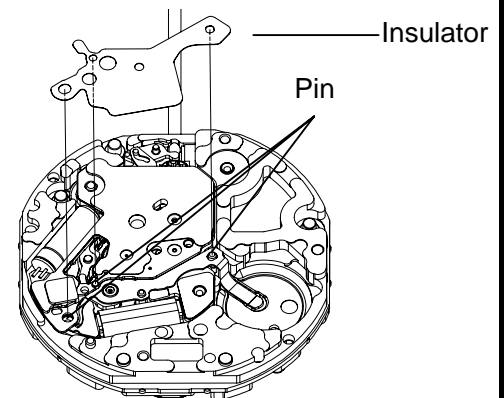
•How to install

Insert the battery aslant in the direction shown by the arrow. Check the battery connection (+) securely touches the side face of the battery.



### (3) Insulator

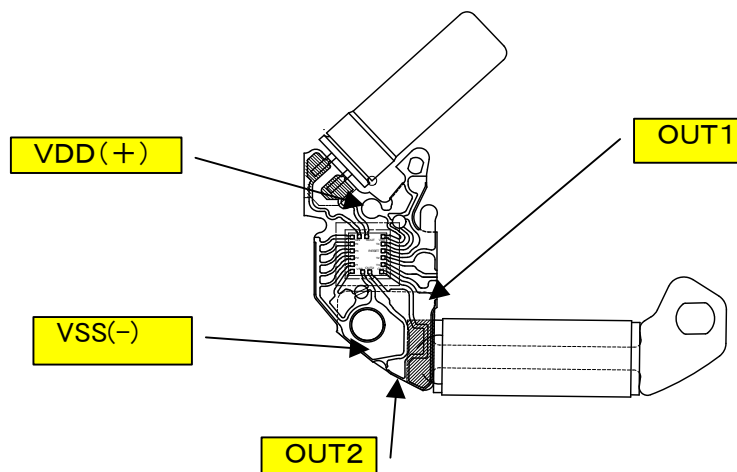
Notes: To insulate between the battery connection (+) and the battery connection (-), the insulator should put at the three pin securely as bellow.



## II . VALUE CHECKING

●Coil block registance (see illustration below)		Contact OUT1 & OUT2 (see illustration below) 1.7~1.9 K $\Omega$
●Current consumption	For the whole movement	Less than 1.18 $\mu$ A
	For the circuit block alone (see illustration below)	Contact VDD(+) & VSS(-) (see illustration below) Less than 0.27 $\mu$ A

Patterns Locations For Circuit Block (with Coil Block)



\* Measure registance of the coil block : Contact OUT1 & OUT2

\* Measure the current consumption for the circuit block alone: Contact VDD(+) & VSS(-)