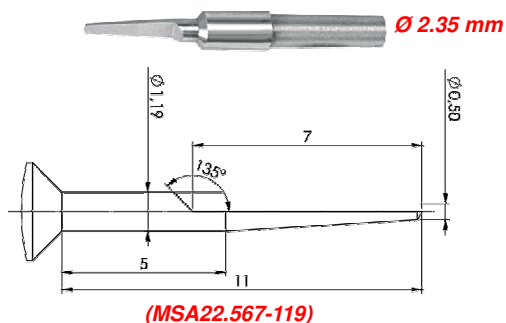


Cone shape hard metal reamers.



ASSORTMENT



MSA	Size	Kg
22.567	125 x 81 x 50 mm	0.250

Assortment of 12 cone shaped hard metal reamers for the drilling finishing (example : hand hole).  
Suggested use with a press.  
Delivered in a wooden box.

\* Items in the assortment MSA22.567

Spare reamers :

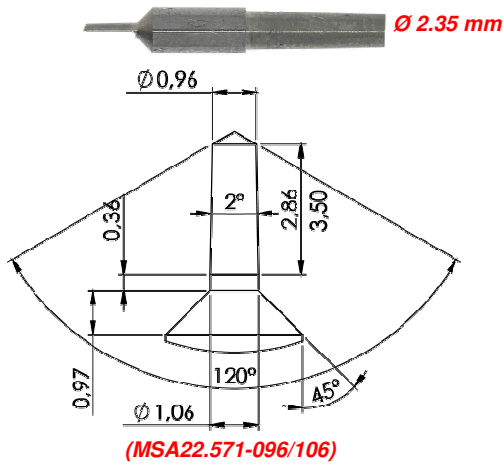
MSA	Item	Kg
22.567-053	Reamer no. 53, Ø 0.53 x L 25 mm, angle 2°	0.001
22.567-054	Reamer no. 54, Ø 0.54 x L 25 mm, angle 2°	0.001
22.567-055	Reamer no. 55, Ø 0.55 x L 25 mm, angle 2°	0.001
22.567-069 *	Reamer no. 69, Ø 0.69 x L 25 mm, angle 2°	0.001
22.567-079 *	Reamer no. 79, Ø 0.79 x L 25 mm, angle 2°	0.001
22.567-089 *	Reamer no. 89, Ø 0.89 x L 25 mm, angle 2°	0.001
22.567-099 *	Reamer no. 99, Ø 0.99 x L 25 mm, angle 2°	0.001
22.567-109 *	Reamer no. 109, Ø 1.09 x L 25 mm, angle 2°	0.001
22.567-119 *	Reamer no. 119, Ø 1.19 x L 25 mm, angle 2°	0.001
22.567-129 *	Reamer no. 129, Ø 1.29 x L 25 mm, angle 2°	0.001
22.567-139 *	Reamer no. 139, Ø 1.39 x L 25 mm, angle 2°	0.001
22.567-149 *	Reamer no. 149, Ø 1.49 x L 25 mm, angle 2°	0.001
22.567-159 *	Reamer no. 159, Ø 1.59 x L 25 mm, angle 2°	0.001
22.567-169 *	Reamer no. 169, Ø 1.69 x L 25 mm, angle 2°	0.001
22.567-179 *	Reamer no. 179, Ø 1.79 x L 25 mm, angle 2°	0.001

Spare tool holder :

MSA	Item	Kg
22.568 *	Pivot, Ø 4.70 x L90 mm	0.011



**ASSORTMENT**



MSA	Size	Kg
22.571	145 x 75 x 40 mm	0.250

Assortment of 12 cone shaped hard metal reamers for the drilling finishing (example : hand hole).  
Suggested use with a press.  
Delivered in a wooden box.

\* Items in the assortment MSA22.571

**Spare reamers :**

MSA	Item	Kg
22.571-032/042	Reamer $\text{Ø } 0.32 \dots 0.42 \times \text{L}19.50 \text{ mm}$ , angle $2^\circ$	0.001
22.571-040/050	Reamer $\text{Ø } 0.40 \dots 0.50 \times \text{L}19.50 \text{ mm}$ , angle $2^\circ$	0.001
22.571-048/058	Reamer $\text{Ø } 0.48 \dots 0.58 \times \text{L}19.50 \text{ mm}$ , angle $2^\circ$	0.001
22.571-056/066	Reamer $\text{Ø } 0.56 \dots 0.66 \times \text{L}19.50 \text{ mm}$ , angle $2^\circ$	0.001
22.571-064/074	Reamer $\text{Ø } 0.64 \dots 0.74 \times \text{L}19.50 \text{ mm}$ , angle $2^\circ$	0.001
22.571-072/082	Reamer $\text{Ø } 0.72 \dots 0.82 \times \text{L}19.50 \text{ mm}$ , angle $2^\circ$	0.001
22.571-080/090	Reamer $\text{Ø } 0.80 \dots 0.90 \times \text{L}19.50 \text{ mm}$ , angle $2^\circ$	0.001
22.571-088/098	Reamer $\text{Ø } 0.88 \dots 0.98 \times \text{L}19.50 \text{ mm}$ , angle $2^\circ$	0.001
22.571-096/106	Reamer $\text{Ø } 0.96 \dots 1.06 \times \text{L}19.50 \text{ mm}$ , angle $2^\circ$	0.001
22.571-104/114	Reamer $\text{Ø } 1.04 \dots 1.14 \times \text{L}19.50 \text{ mm}$ , angle $2^\circ$	0.001
22.571-112/122	Reamer $\text{Ø } 1.12 \dots 1.22 \times \text{L}19.50 \text{ mm}$ , angle $2^\circ$	0.001
22.571-120/130	Reamer $\text{Ø } 1.20 \dots 1.30 \times \text{L}19.50 \text{ mm}$ , angle $2^\circ$	0.001

**Spare tool holder :**

MSA	Item	Kg
22.568	Pivot, $\text{Ø } 4.70 \times \text{L}90 \text{ mm}$	0.011