

MIYOTA

Cal. 6S10/20/30 CHRONOGRAPH GRANDE



1. Basic Specification

| | | | |
|-----------------------|-----------------------------------|------|------|
| Calibre | 6S10 | 6S20 | 6S30 |
| Ligne | 15 ^{mm} | | |
| Overall diameter | Φ34.60mm | | |
| Case fitting diameter | Φ32.80mm | | |
| Total height | 4.90mm | | |
| Battery Life | Approx. 4 years** | | |
| Battery | SILVER OXIDE SR927W or equivalent | | |

** (60 minutes chronograph operation per day)

< Time Standard >

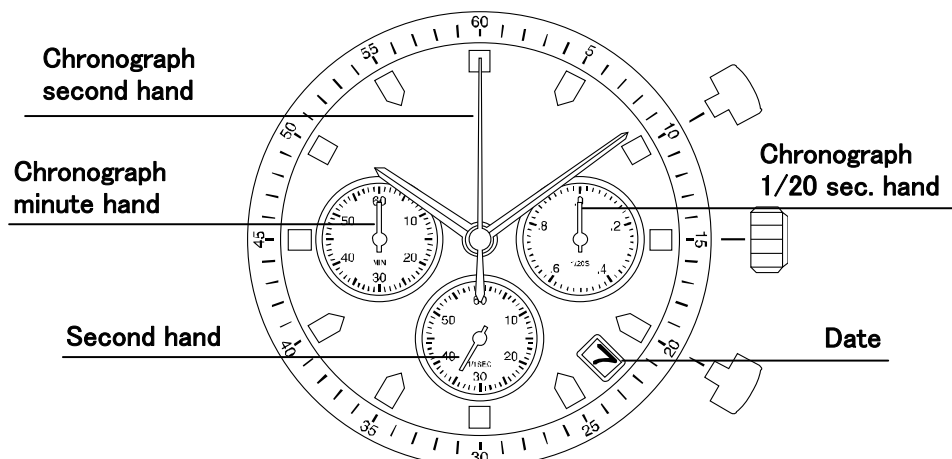
Type of quartz: Tuning fork type quartz crystal
Frequency : 32,768Hz
Accuracy : ±20 second / month worn under normal circumstances

< Balanceable weight of hand >

Minute hand Max. 1.0 μ Nm
Center Chrono Second hand Max. 0.4 μ Nm
Other small hands Max. 0.04 μ Nm

< Function >

Chronograph Minute, Second, 1/20 sec. (Up to 59min. 59 sec.)
4 Beats Center Second Hand
Date calendar
Powercell Saving Reset Mechanism(PSRM)
Over-loading Compensation Device(OLCD)
Digital Frequency Control(DFC) for time adjustment



2. Separated Parts

Setting stem

065-A13

3. Others

* Measurement of time rate

The unit(gate) time of measurement must be set at "10 sec." or integer fold value of 10 sec. Owing to the DFC system, and the measurement must be performed in the form of complete watch.

* Marking on movement

JAPAN
MIYOTA CO.
(CAL. NO.)
NO JEWELS

* Typical clearance

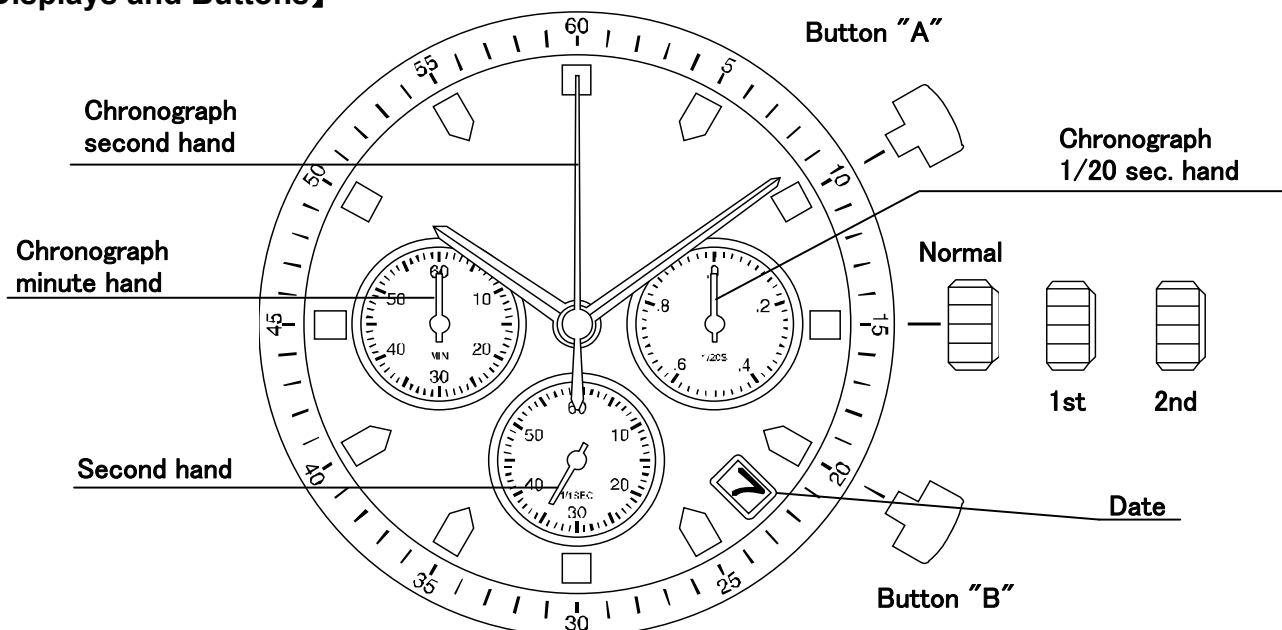
Mov't - Caseback minimum 150 microns

Top of hands - Glass 300 - 400 microns *

* subject to the glass, case structure, and the length of hand

4. Instruction Manual

【Displays and Buttons】



A) SETTING THE TIME

1. Pull the crown out to the 2nd Click Position.
2. Turn the crown clockwise to set hour and minute hands.
3. After the time has been set, push the crown back to the Normal position.

B) SETTING THE DATE

1. Pull the crown out to the 1st Click Position.

2. Turn the crown clockwise to set the date.

* If the date is set between the hours of around 9:00 PM and 1:00 AM, the date may not change on the following day.

3. After the date has been set, push the crown back to the Normal position.

C) USING THE CHRONOGRAPH

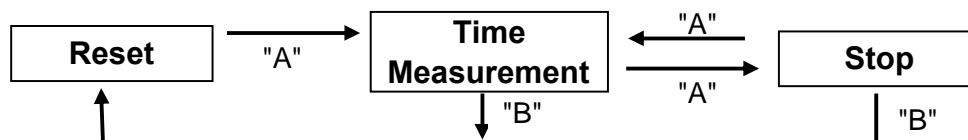
This chronograph is able to measure and display time in 1/20 second united up to maximum of 59min 59sec. The chronograph 1/20 second hand keeps continuously for 30 seconds after starting, and then stops at Zero position.

【Measuring time with the stopwatch】

1. Press button "A" to start the chronograph.

2. The chronograph can be started and stopped each time button "A" is pressed.

3. Press button "B" to reset the chronograph and chronograph minute and second hands return to their Zero positions.



D) CHRONOGRAPH RESET (INCL. AFTER REPLACING BATTERY)

This procedure should be performed when the chronograph second hand does not return to the Zero position.

1. Pull the crown out to the 2nd Click Position.

2. Press the button "A" once to set the chronograph second hand to the Zero position.

3. Press the button "B" once to set the chronograph 1/20 second hand to the Zero position.

* The chronograph hands can be advanced rapidly by continuously pressing button "A" or "B".

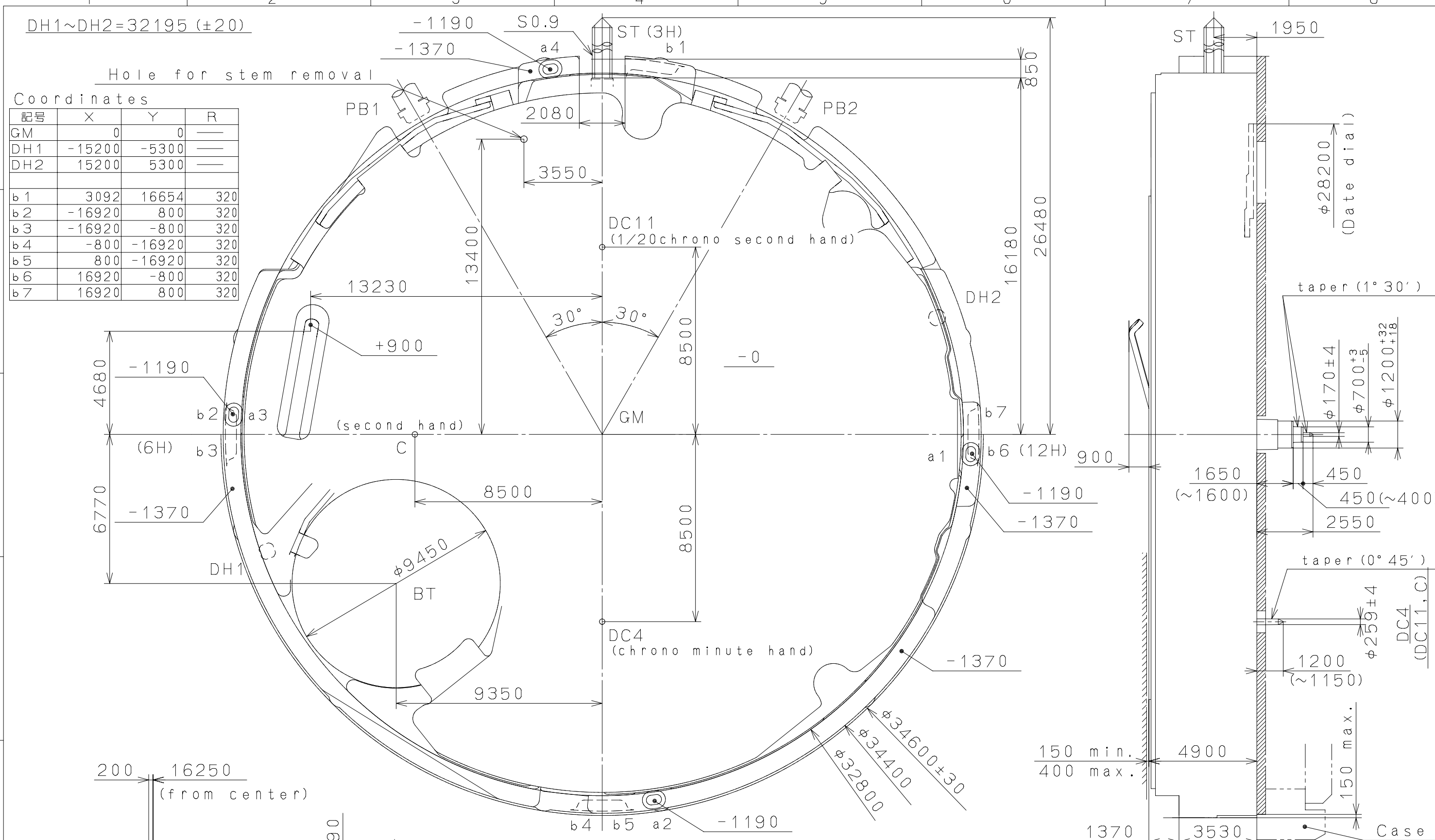
4. Once the hands have been set at Zero position, reset the time and return the crown to its normal position.

These specifications might be changed without prior notice.

CITIZEN WATCH CO., LTD.

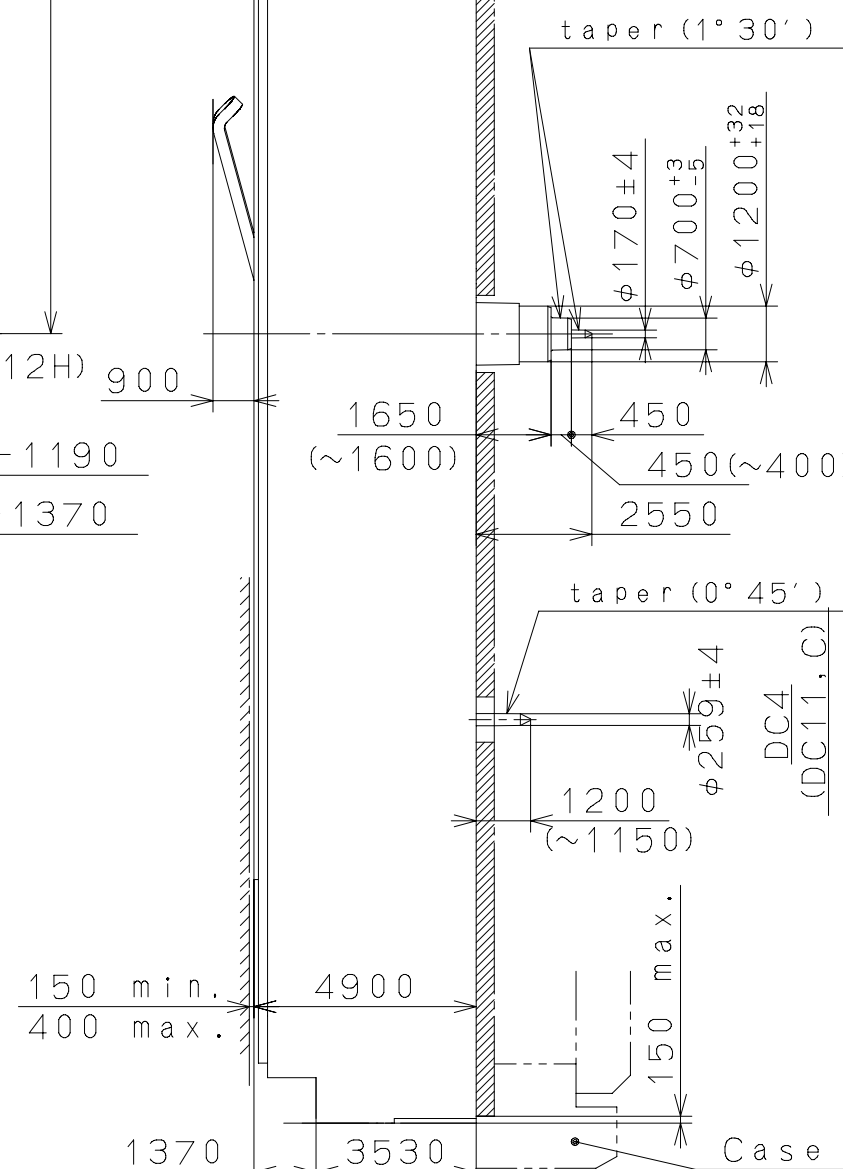
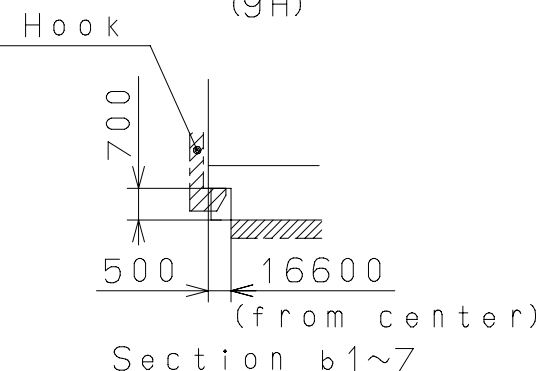
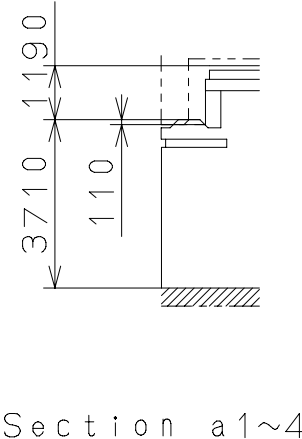
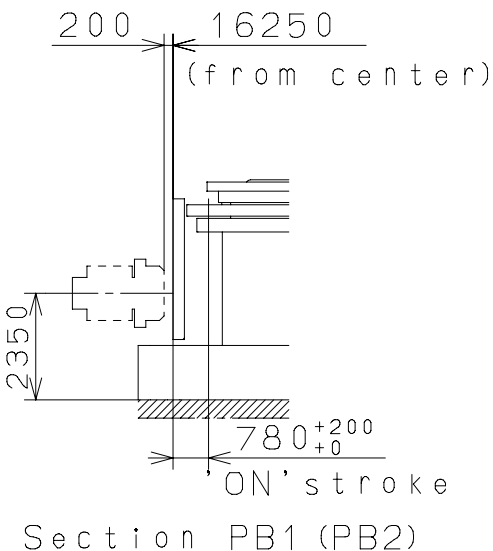
2011/12/12 (14:09:16)

This drawing is provisional and subject to our reconfirmation and/or revision without notice.



Coordinates

| 記号 | X | Y | R |
|-----|--------|--------|-----|
| GM | 0 | 0 | — |
| DH1 | -15200 | -5300 | — |
| DH2 | 15200 | 5300 | — |
| b1 | 3092 | 16654 | 320 |
| b2 | -16920 | 800 | 320 |
| b3 | -16920 | -800 | 320 |
| b4 | -800 | -16920 | 320 |
| b5 | 800 | -16920 | 320 |
| b6 | 16920 | -800 | 320 |
| b7 | 16920 | 800 | 320 |

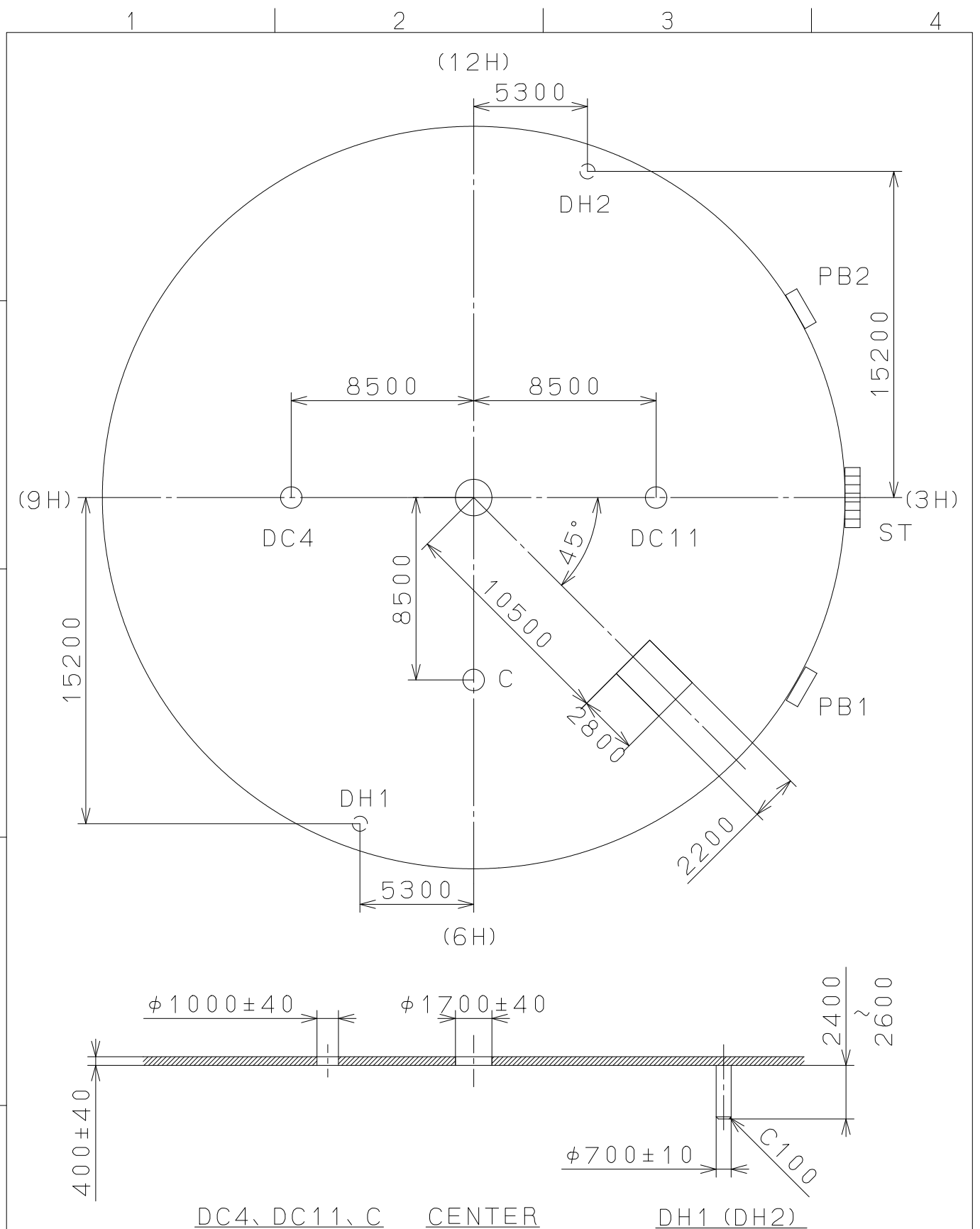


| | | | | | |
|----------------|------|-------------|----------|-------------------------------------|-----------|
| △5 | | Quantity | | Cal.NO.: | |
| △4 | | Unit | 1/1000mm | | 6S20 |
| △3 | | Scale | 6 : 1 | Parts No.: | |
| △2 | | Date | | | |
| △1 | | Drawn | | | |
| Mark | Date | Description | Appr. | Checked | N. Suzuki |
| Alterations | | | | Approved | Name: |
| | | | | Frame for Case | |
| | | | | Drawing No.: 6S20C001 | |
| Material | | | | General Tolerances | |
| Heat Treatment | | | | Dimensions | |
| Hardness | | | | Angles | |
| Plating | | | | CITIZEN WATCH CO.,LTD. TOKYO, JAPAN | |

MIYOTA

2010/05/24 (09:03:47)

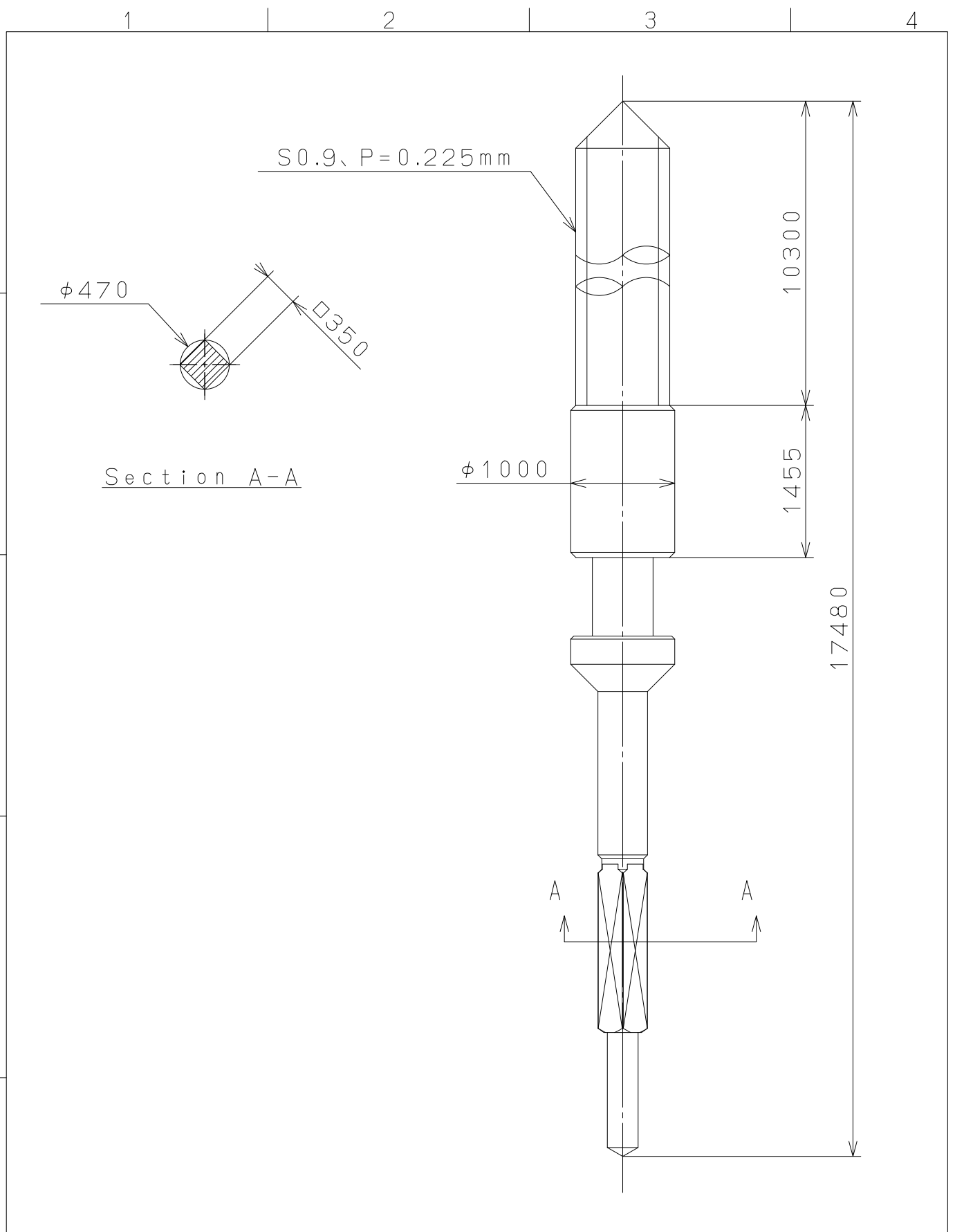
This drawing is provisional and subject to our reconfirmation and/or revision without notice.



| | | | | | |
|----------------|------|-------------|--------------------|-------------|--------------------------------------|
| △ | | | Quantity | | Cal.NO.: |
| △ | | | Unit | 1 / 1000 mm | 6S20-00A |
| △ | | | Scale | 4 : 1 | Parts No.: |
| △ | | | Date | | |
| △ | | | Drawn | | |
| Mark | Date | Description | Appr. | Checked | Name: |
| | | Alterations | Approved | N. Suzuki | Indications for Dial |
| Material | | | | | Drawing No.: 6S20D000 |
| Heat Treatment | | | General Tolerances | | MIYOTA |
| Hardness | | | Dimensions | | |
| Plating | | | Angles | | |
| | | | | | CITIZEN WATCH CO., LTD. TOKYO, JAPAN |

2010/07/26 (09:03:08)

This drawing is provisional and subject to our reconfirmation and/or revision without notice.



| | | | | | |
|----------------|------|-------------|--------------------|---|-----------------------|
| △5 | | | Quantity | | Cal.NO.: |
| △4 | | | Unit | 1/1000mm | |
| △3 | | | Scale | 20:1 | Parts No.: |
| △2 | | | Date | | 065-A13 |
| △1 | | | Drawn | | |
| Mark | Date | Description | Appr. | Checked | Name: |
| | | Alterations | Approved | N. Suzuki | SETTING STEM |
| Material | | | | | Drawing No.: A130S000 |
| Heat Treatment | | | General Tolerances | MIYOTA CITIZEN WATCH CO., LTD. TOKYO, JAPAN | |
| Hardness | | | Dimensions | | |
| Plating | | | Angles | | |