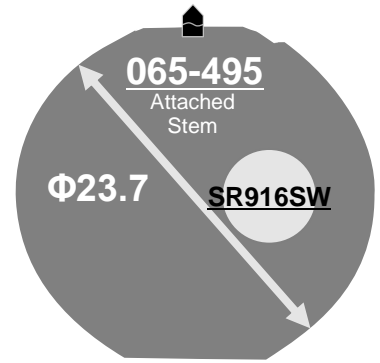
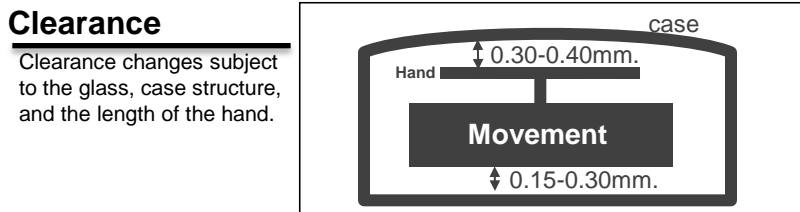


<b>Size</b> <ligne>	10 ½'''
<b>Height</b> <mm>	2.33
<b>Accuracy</b> <per Month>	±20 sec
<b>Battery Life</b>	4 years



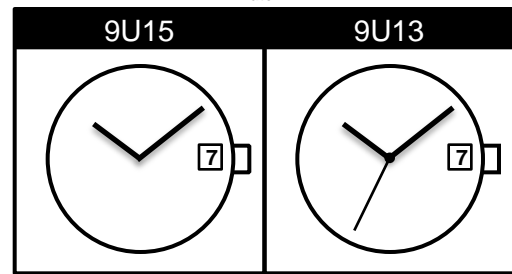
Battery consumption could be minimum by pulling out the stem

<b>Balance Weight</b> <μN.m>	Minute 0.40 Second 0.07
---------------------------------	----------------------------



<b>Original Package</b>	1,000pcs
-------------------------	----------

7  
Date

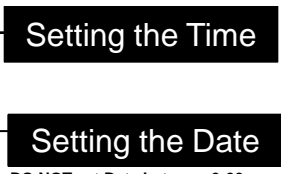
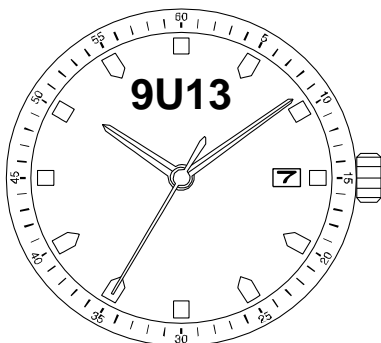
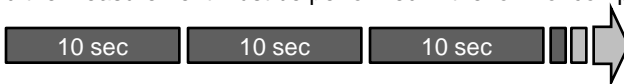


<Battery Detector Function>  
As warning second hand steps every 2 seconds  
When battery becomes nearly empty.  
(except for Cal. 9T22/15&9U15)

## Time measurement

### Accuracy

The unit (gate) time of measurement must be set at "10 sec." and the measurement must be performed in the form of complete watch.



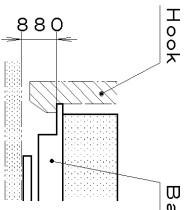
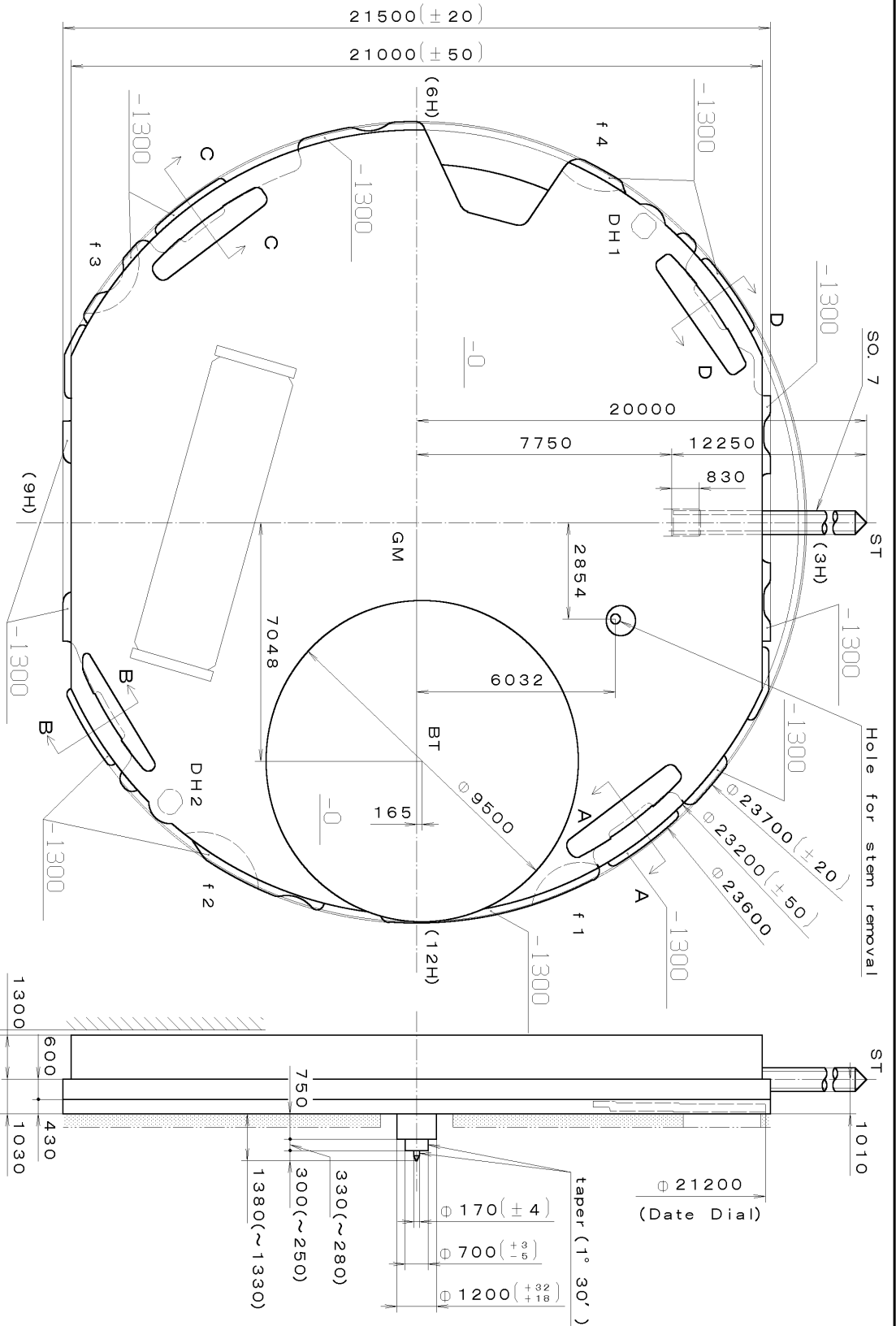
DO NOT set Date between 9:00pm – 1:00am

\*\*\* T1PW 9U13 (01) \*\*\* (2100 1121 ) 00-06-26

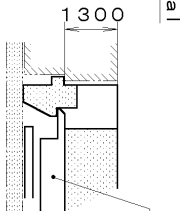
DH1~DH2=22287 (±30)

Coordinates

Mark	X	Y	R
GM	0	0	—
DH1	-8759	6900	—
DH2	8251	-7500	—
f 1	11844	4979	1500
f 2	10937	-6601	1800
f 3	-7683	-9951	1500
f 4	-11566	5760	1800



Section f1~f4



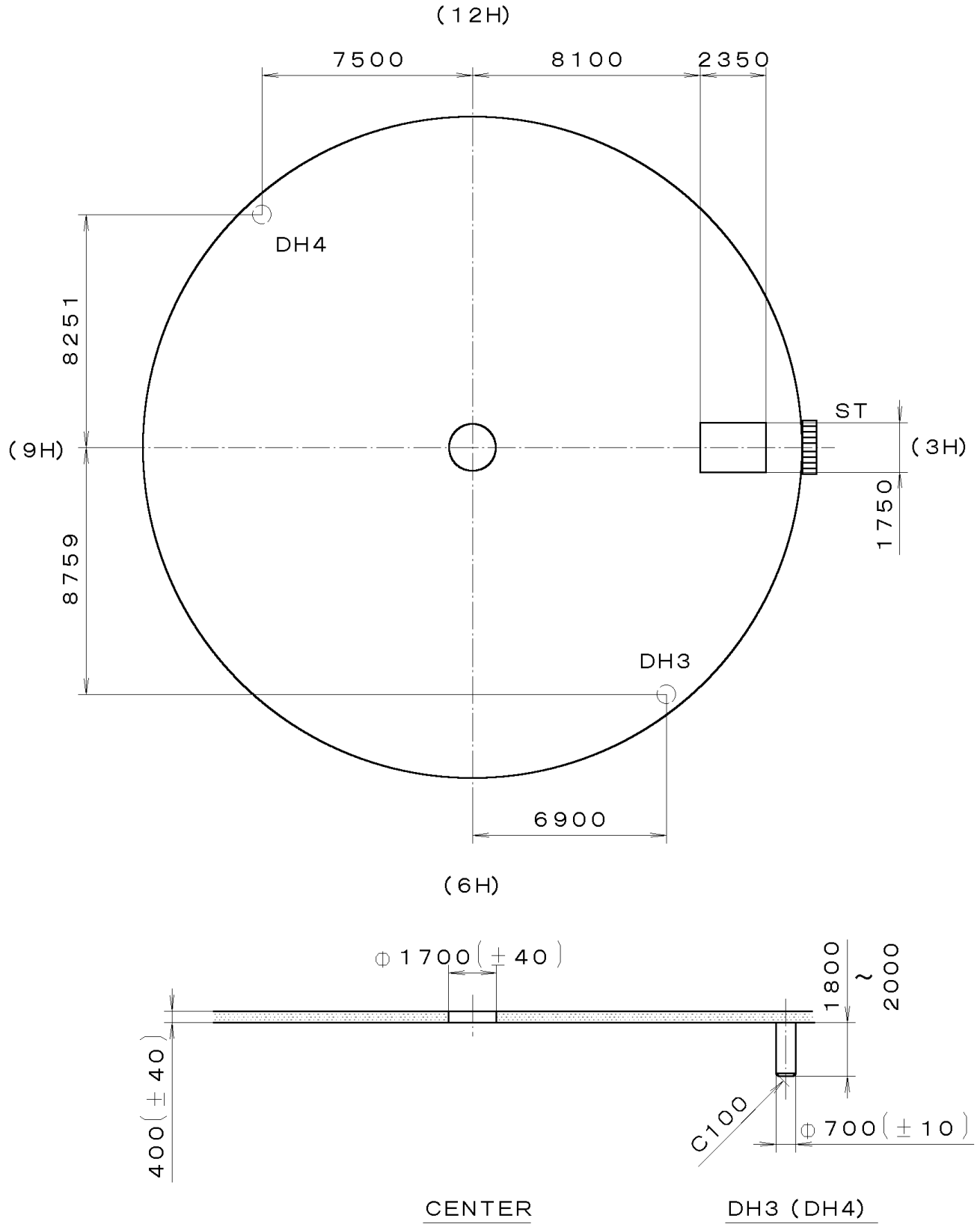
Section A-A, B-B  
C-C, D-D

Quantity	Unit	Scale	Date	Checked	Approved	Material	Heat Treatment	Hardness	Plating	General Tolerances	Dimensions	Angles
	1/1000 mm	8:1		T. Hiruta								
Name: Frame for Case												
Drawing No.: 9U13C000												

**MIYOTA**

This drawing is provisional and subject to our reconfirmation and/or revision without notice.

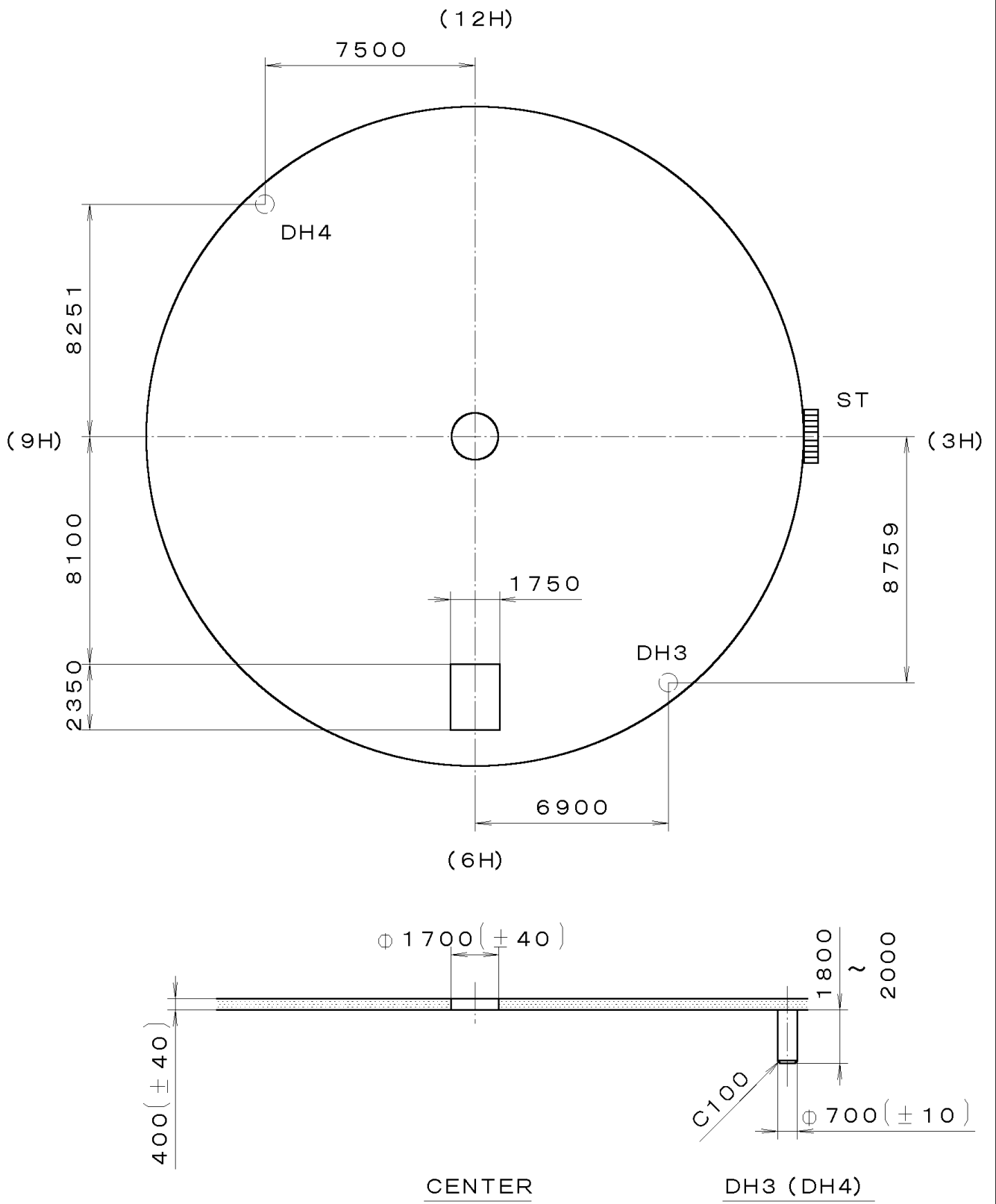
9U13-00A (01) \*\*\* (2100 1121) 00-06-80



7			Quantity		Cal. No. :	9U13-00A
6			Unit	1/1000 mm	Parts:	
5			Scale	5:1	Name:	Indications for Dial Drawing No. : 9U13D000
4			Date			
3			Drawn			
2			Checked	T. Hiruta		
1			Approved			
Material						
Heat Treatment			General Tolerances		<b>MIYOTA</b>	
Hardness			Dimensions			
Plating			Angles			

This drawing is provisional and subject to our reconfirmaiton and/or revision without notice.

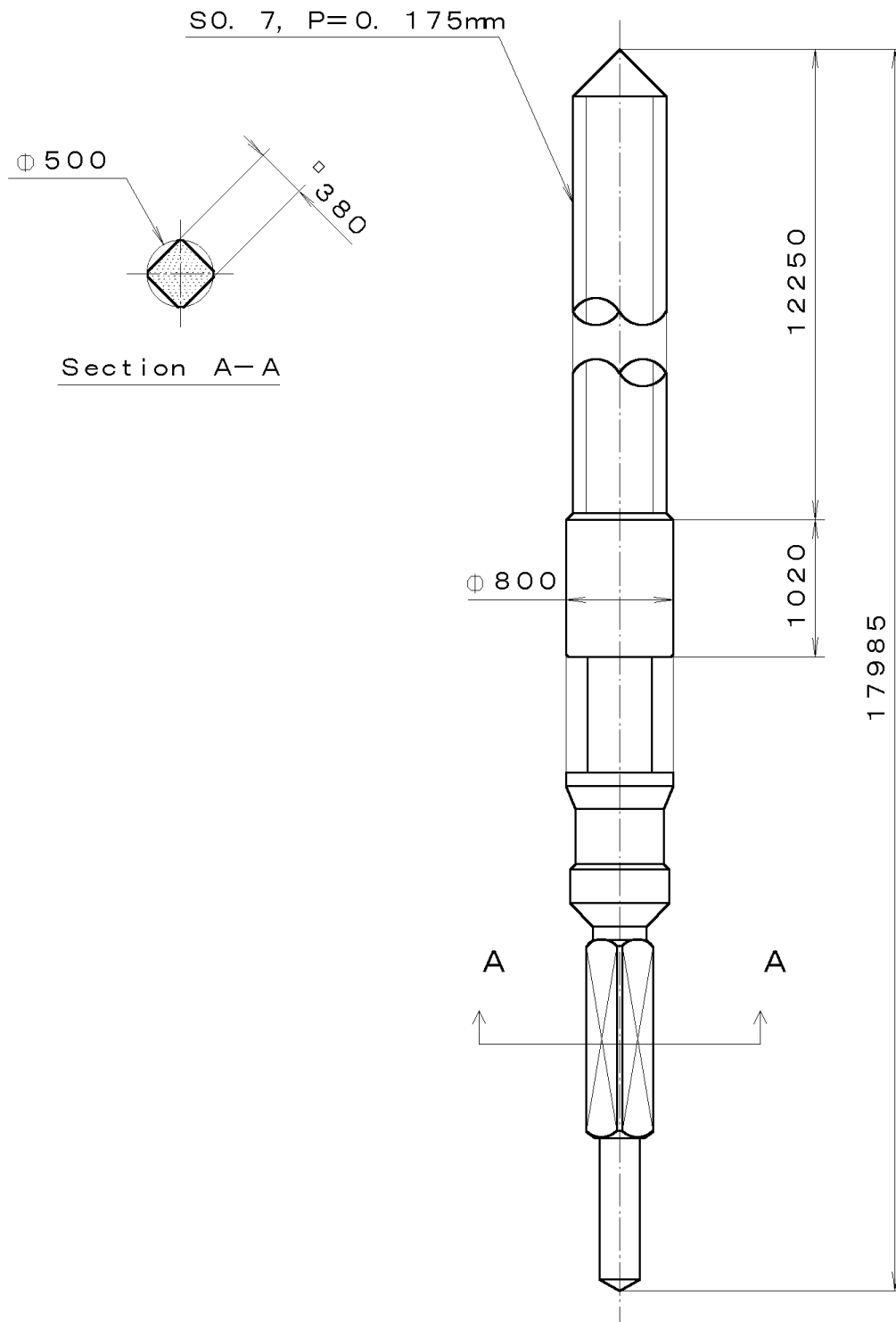
00-06-30 ) (2100 1121 ) (01) \*\*\* 9U13-00V \*\*\* T I P W



7			Quantity		Cal. No. :	9U13-00V
6			Unit	1/1000 mm	Parts:	
5			Scale	5:1	Name:	
4			Date		Indications for Dial	
3			Drawn		Drawing No. : 9U13D010	
2			Checked	T. Hiruta		
1			Approved			
Material			General Tolerances		<b>MIYOTA</b>	
Heat Treatment			Dimensions			
Hardness			Angles			
Plating						

This drawing is provisional and subject to our reconfirmation and/or revision without notice.

\*\*\* T I P W (01) \*\*\* (2100 1121 A-01 A-01 ) 00-06-22  
 065-495



7			Quantity		Ca l. No. :
6			Unit	1/1000 mm	
5			Scale	20:1	Parts:
4			Date		065-495
3			Drawn		
2			Checked	T. Hiruta	Name:
1			Approved		SETTING STEM
Material		SuS420F-DG			Drawing No. : 4950S000
Heat Treatment		焼入焼戻	General Tolerances		<b>MIYOTA</b>
Hardness		HV550	Dimensions		
Plating			Angles		