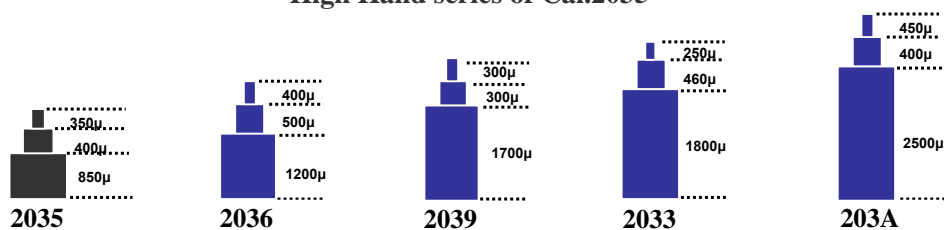


Cal. 2036/2039/2033/203A

High Hand series of Cal.2035



1. Basic Specification

Calibre	2036	2039	2033	203A
Ligne	6-3/4 x 8'''			
Total height	3.15mm			
Hands	3			
Battery life	3 Years			

< Time Standard >

Type of quartz: Tuning fork type quartz crystal
 Frequency : 32,768Hz
 Accuracy : ±20 second / month worn under normal circumstances

< Battery >

Type of battery: Silver oxide SR626SW or equivalent

< Others >

Driving system: Two-pole stepping motor
 Jewel : No jewels

< Additional Mechanisms >

Second hand stopping at optional position
 Powercell saving reset mechanism
 Over-loading compensation device

< Balanceable weight of hand >

Minute hand Max. 0.4 μN.m
 Second hand Max. 0.07 μN.m

2. Separated Parts

Calibre	2036	2039	2033	203A
Setting stem	065-468			

3. Remarks

< Setting stem >

Length of movement center to stem end : 20.0mm
 Thread : Φ0.9mm x 12.38mm

< Measurement of time >

The unit time of measurement must be set at "10s" or integer fold value of 10s owing to the DFC system. And the measurement must be carried out in state of a complete watch.

< Marking on movement >

UNADJUSTED
 (CAL NO.)
 MIYOTA CO., JAPAN

< Typical clearance >

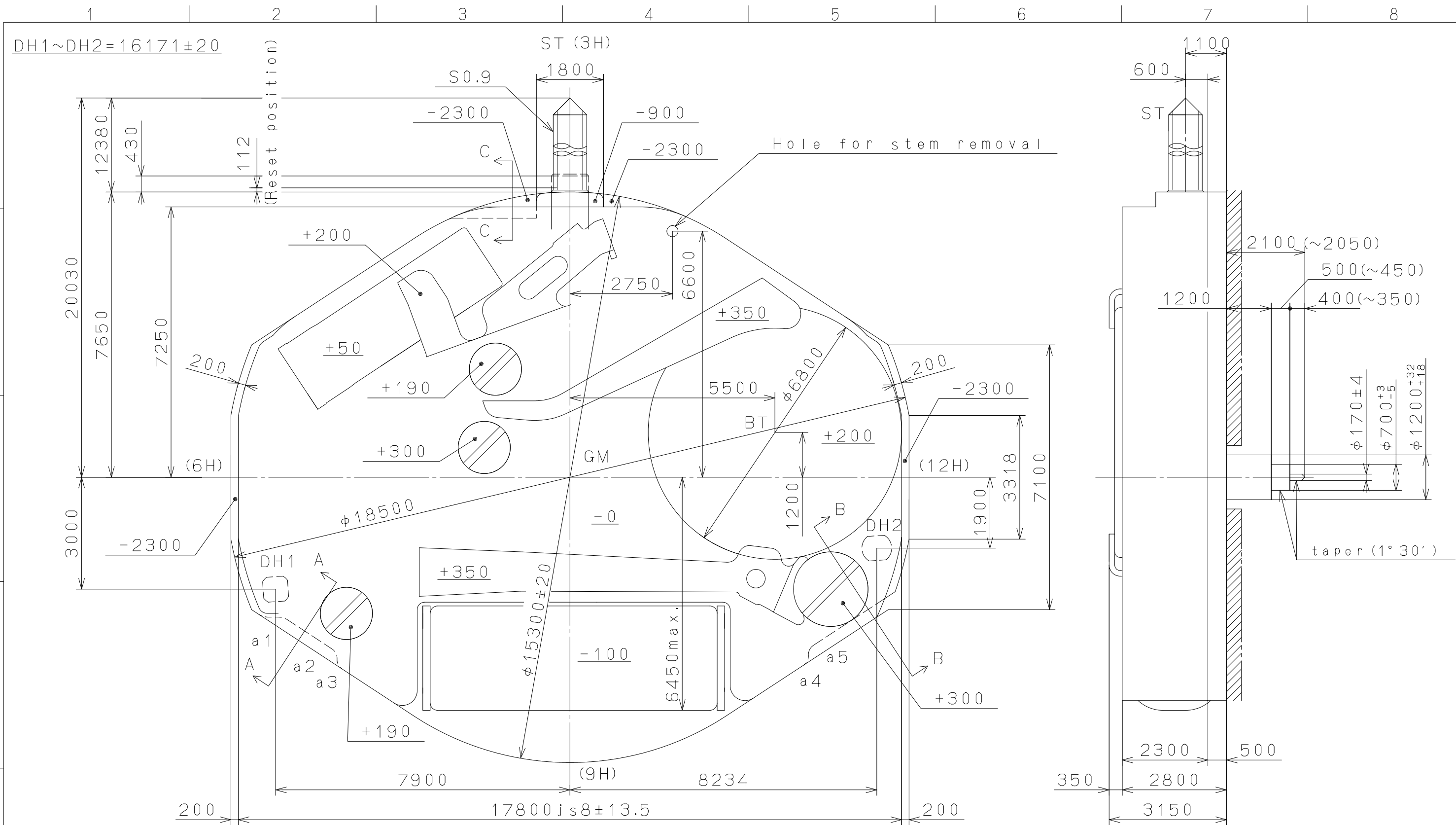
Between case and movement
 Battery strap - Case back : 150 - 300 μm
 Hands - glass : 300 - 450 μm*

* Depending and subject to the glass and case structure, and hand length.

These specifications might be changed without prior notice.

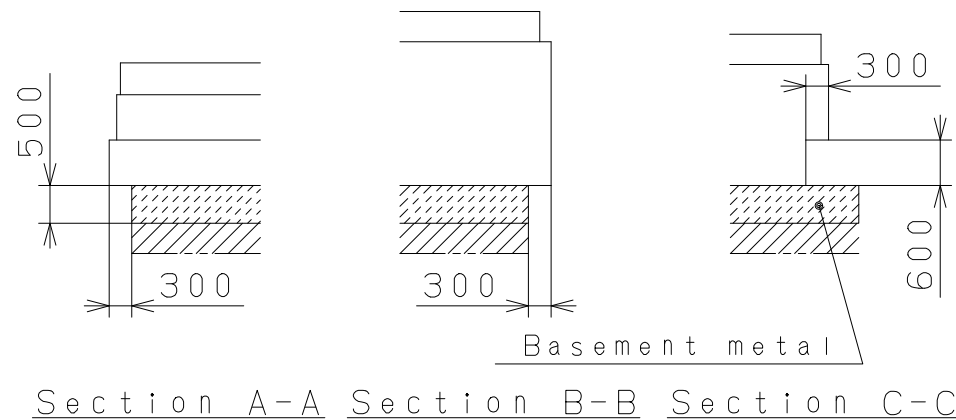
CONFIDENTIAL 2013/08/09 (14:12:55)

This drawing is provisional and subject to our reconfirmation and/or revision without notice.



Coordinates

Mark	X	Y	R
GM	0	0	—
a1	-7838	-4250	500
a2	-6550	-4855	300
a3	-5951	-4888	300
a4	6101	-4790	300
a5	6700	-4756	300



Quantity				Cal. NO.:	2036
Unit	1/1000mm			Parts No.:	
Scale	10 : 1			Date	
Date				Drawn	
Mark	Date	Description	Appr.	Checked	T. Hiruta
Alterations				Approved	Name:
				Frame for Case	
				Drawing No.: 2036C001	
Material				General Tolerances	
Heat Treatment				Dimensions	
Hardness				Angles	
Plating					

MIYOTA

CITIZEN WATCH CO., LTD. TOKYO, JAPAN