

**Cal. GL20/GL15/GM15/GN15**  
**SLIM G SERIES**

**1. Basic Specification**

Calibre	GL20	GL15	GM15	GN15
Ligne	6 3/4 x 8'''		10 1/2'''	8 3/4'''
Overall length	15.3 x 18.2	16.1 x 18.2		
Case fitting length	15.3 x 17.8	16.1 x 17.8		
Overall diameter			Φ23.7 x 22.6(3H-9H) x 22.6(6H-12H)	Φ20.0 x 18.0(3H-9H)
Case fitting diameter			Φ23.3 x 21.4(3H-9H) x 22.1(6H-12H)	Φ19.4 x 17.0(3H-9H)
Total height	2.28mm	2.71mm		
Hands	2 Hands			
Date	N/A	○		
Battery Life	5 Years			
Battery	SILVER OXIDE SR621SW or equivalent			

< Time Standard >

Type of quartz : Tuning fork type quartz crystal  
 Frequency : 32,768Hz  
 Accuracy : ±20 second / month worn under normal circumstances

<Others>

Driving system : Two-pole stepping motor  
 Jewel : No(0) jewels

<Additional Mechanisms>

Super Quick Date Change by turning crown (except GL20)  
 Powercell Saving Reset Mechanism(PSRM)  
 Over-loading Compensation Device(OLCD)  
 Digital Frequency Control(DFC) for time adjustment

< Balanceable weight of hand >

Minute hand Max. 0.4 μ Nm

**2. Separated Parts**

Calibre	GL20	GL15	GM15	GN15
Setting stem	065-541	065-547	065-543	065-547

**3. Remarks**

\* Measurement of time rate

The unit(gate) time of measurement must be set at "10 sec." or integer fold value of 10 sec. Owing to the DFC system, and the measurement must be performed in the form of complete watch.

\* Marking on movement

**NO JEWELS**  
**( CAL. NO.)**  
**MIYOTA CO.**  
**JAPAN**

\* Typical clearance

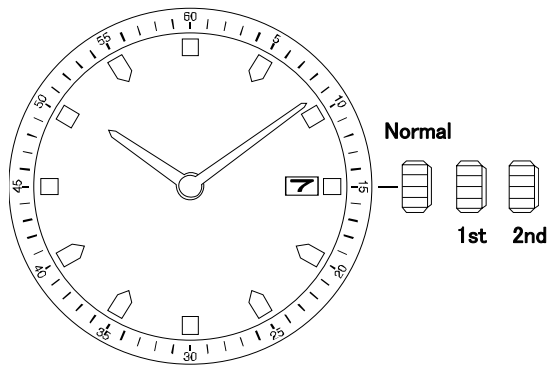
Mov't - Caseback minimum 150 μm  
 Top of hands - Glass 300 - 400 μm \*

\* subject to the glass, case structure, and the length of hand

\* Interchangeability of appearance components: \*respectively Date to Date

Dial Foot position & the diameter same as Cal. 1L/1M series\*  
 Date window position same as Cal. 1L/1M series\*  
 Hands same as Cal. 20,21,1L/1M series\*  
 Mov't Holder Basically same as 1L/M\* (Please be careful not to push 3H & 9H side by your movement holder except GL20.)  
 Case same as Cal. 1L/1M series\*  
 (GL20 is slightly thicker than 1L22. please make sure if your previous case can fit or be modified.)

**【Displays and Buttons】**

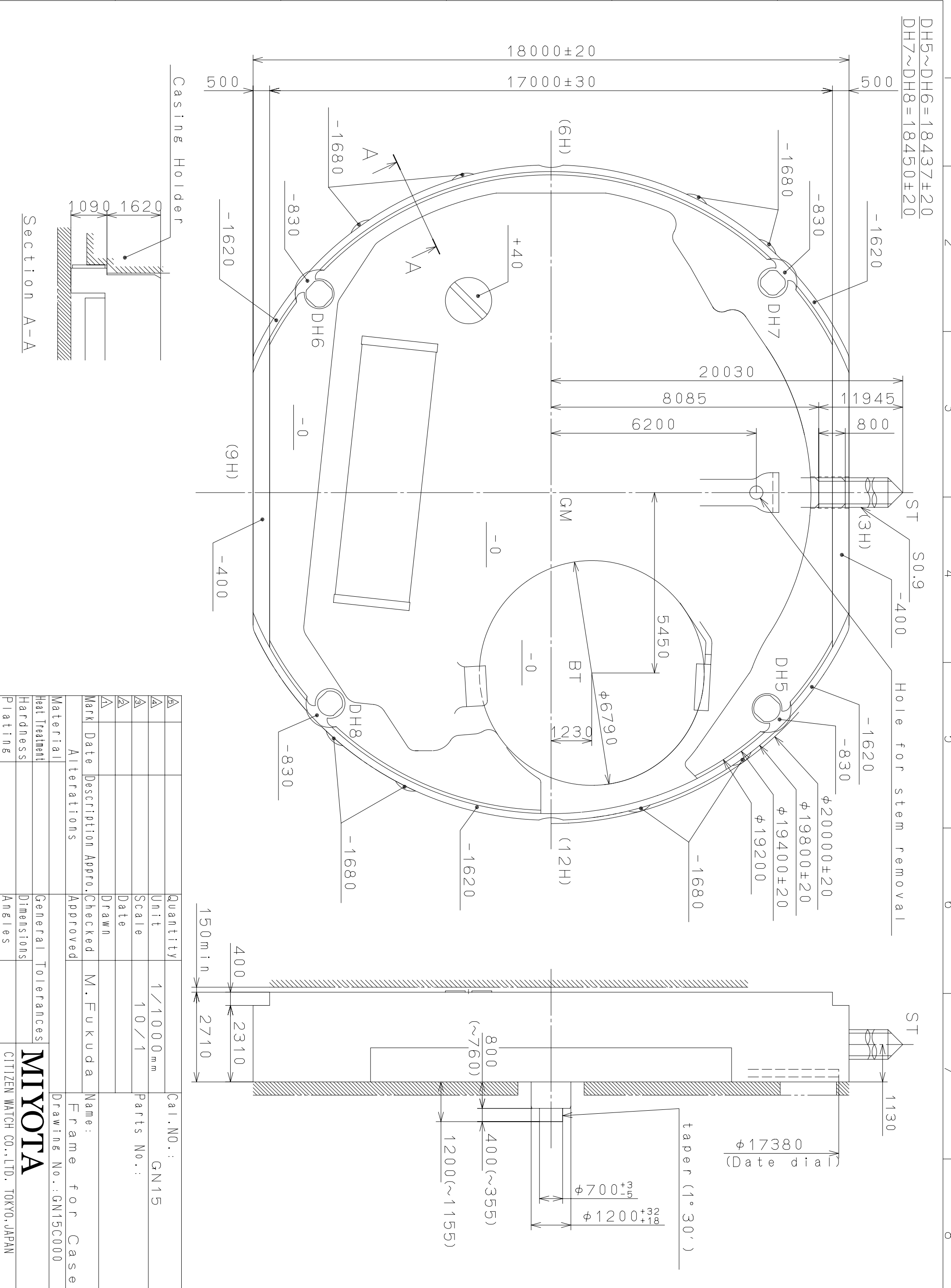


**A) SETTING THE TIME**

1. Pull the crown out to the 2nd Click Position. (GL20 : 1st Click Position)
2. Turn the crown to set hour and minute hands.
3. After the time has been set, push the crown back to the Normal position.

**B) SETTING THE DATE (except GL20)**

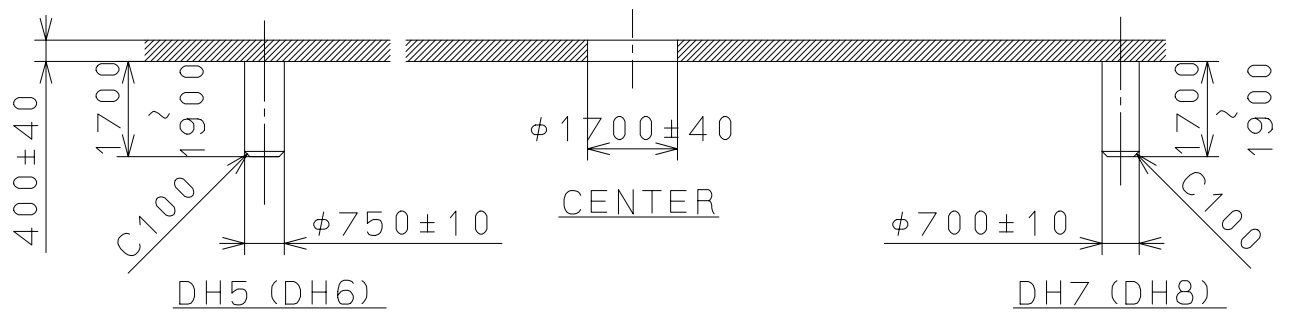
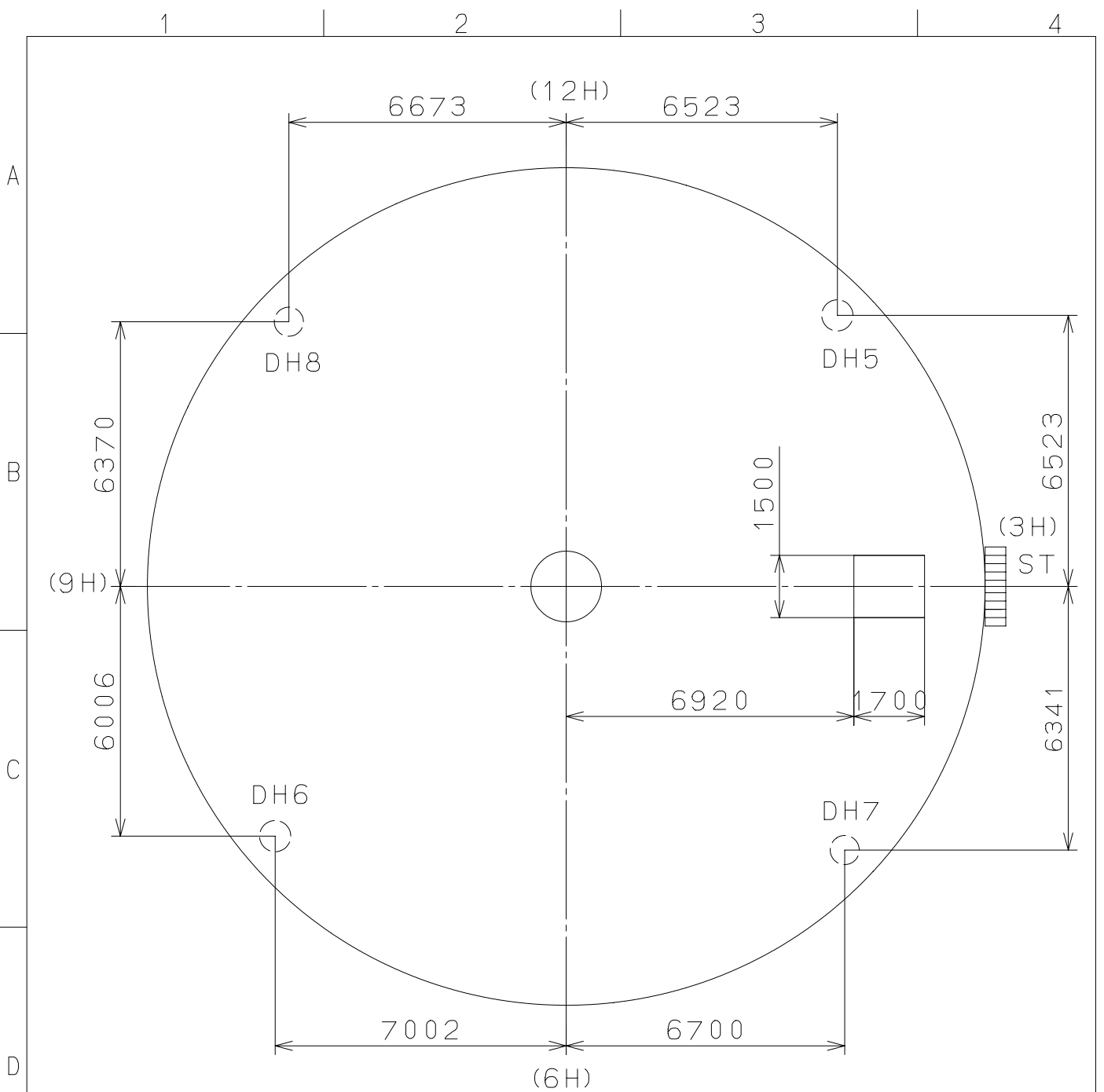
1. Pull the crown out to the 1st Click Position.
2. Turn the crown counter-clockwise to set the date.  
\* If the date is set between the hours of around 9:00 PM and 1:00 AM, the date may not change on the following day.
3. After the date has been set, push the crown back to the Normal position.



**Miyota**  
CITIZEN WATCH CO., LTD. TOKYO, JAPAN

2005/01/20 (17:44:09)

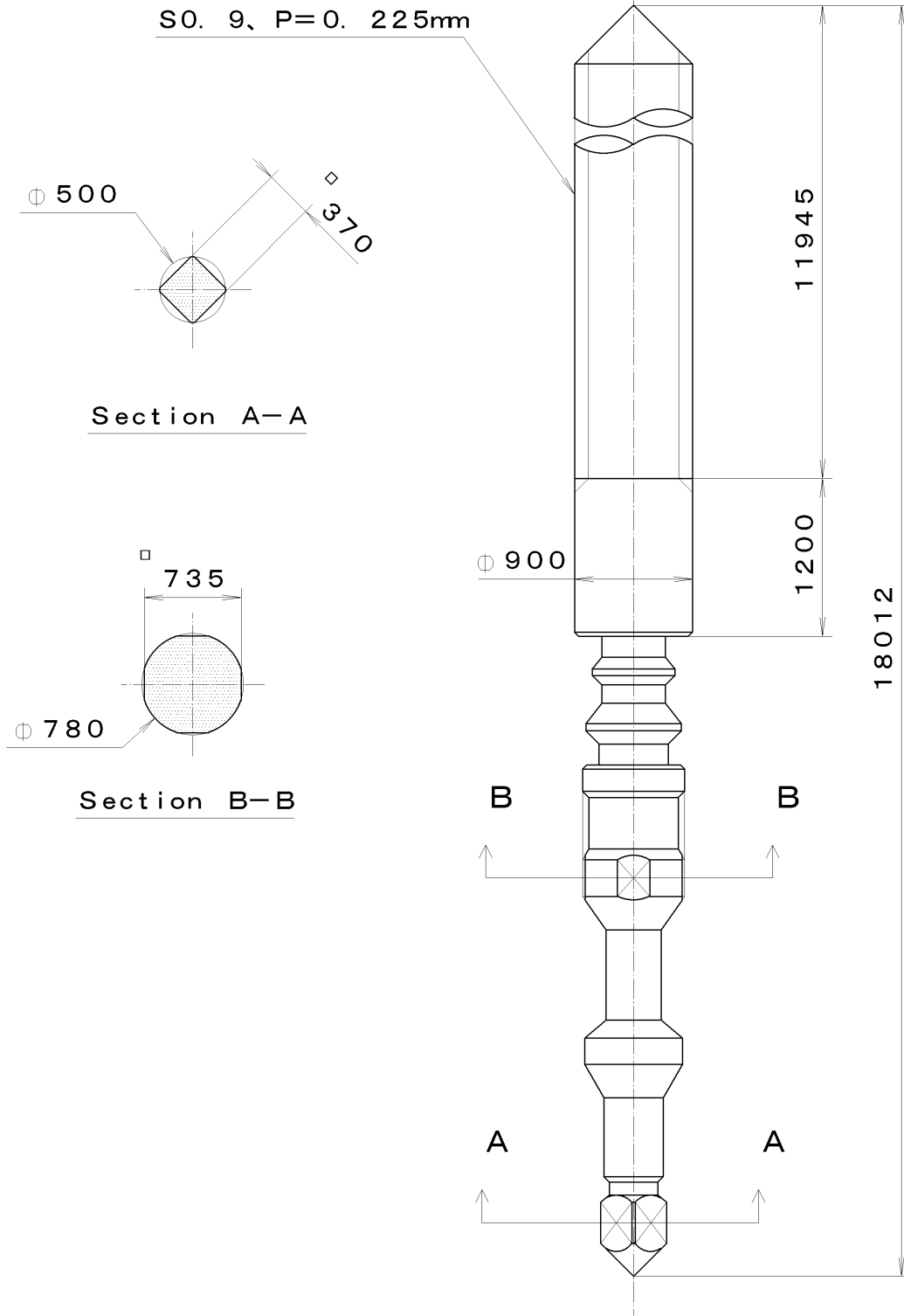
This drawing is provisional and subject to our reconfirmation and/or revision without notice.



△			Quantity			Cal.NO.:GN10-00A
△			Unit	1 / 1000 mm		
△			Scale	7 / 1		Parts No.:
△				Date	Name	
△			Drawn			
Mark	Date	Description	Appr.	Checked	M. Fukuda	Name:
Alterations			Approved			Indications for Dial
Material					Drawing No.:GN10D000	
Heat Treatment					General Tolerances	
Hardness					Dimensions	
Plating					Angles	
<b>CITIZEN</b>						CITIZEN WATCH CO., LTD. TOKYO, JAPAN

This drawing is provisional and subject to our reconfirmation and/or revision without notice.

\*\*\* T I P W 065-547 (01) \*\*\* (2100 1121) 02-07-12



			Quantity		Cal. No. :
			Unit	1/1000 mm	
			Scale	20:1	Parts:
			Date		065-547
			Drawn		
			Checked	T. Hiruta	Name:
			Approved		SETTING STEM
Material					Drawing No. : 5470S000
Heat Treatment			General Tolerances		<b>CITIZEN</b> WATCH CO., LTD. TOKYO, JAPAN
Hardness			Dimensions		
Plating			Angles		